



DHOLLANDIA



POCKET GUIDE PRODUCT RANGE 2015



DHOLLANDIA

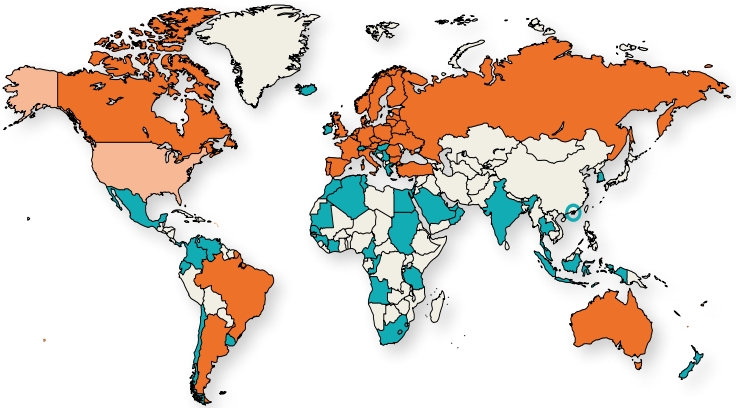
**POCKET GUIDE
PRODUCT RANGE 2015**



Content list

DHOLLANDIA facts & figures	Pg 3
6 good reasons to buy DHOLLANDIA	Pg 4
Best possible protection for your investment	Pg 6
Different types of RIDE	Pg 8
Control units for all applications...	Pg 10
... and an endless list of options to choose from	Pg 12
Professional service network Original spare parts	Pg 13
Reading help	Pg 14
Chapter 1 • Passenger lifts	Pg 16
Chapter 2 • Lifts for factory built panel vans	Pg 42
Chapter 3 • Cantilever lifts	Pg 66
Chapter 4 • Slider lifts	Pg 100
Chapter 5 • Fold-away lifts	Pg 126
Chapter 6 • Special hydraulic applications	Pg 144
Chapter 7 • Column lifts	Pg 162

DHOLLANDIA facts & figures

- Founded in 1968, more than 45 years of experience in the tail lift business
- Europe's N° 1 manufacturer of tail lifts, with production in excess of 35,000 units per year and more than 550,000 units sold since 1968
- Unparalleled product range with lift capacities ranging from 150 to 16,000 kg, all developed via internal growth
- Production sites in 5 countries
- Extensive vertical integration and technological leadership: more than 90% of mechanical, hydraulic and electrical parts used are manufactured in-house
- Professional network of DHOLLANDIA Area Sales & Service Centres (Europe) and independent distributors (outside Europe) in 6 continents and more than 60 countries worldwide



 DHOLLANDIA Group  Independent distributor



See www.dhollandia.com for our worldwide network.



6 good reasons to buy DHOLLANDIA



1- Safe & reliable



- No electronic components, exceptionally reliable
- Adapted to the intensive use and heavy duty work
- Strong & robust 4-cylinder tail lifts (*)
- Electrical safety valves mounted to all cylinders (*)
- Manual emergency back-up operation on all electro valves
- Level ride plus automatic tilt at ground level on most commercial lift models (*)



2- Flexible & client-oriented

- Small enough to care, big enough to cope
- Wide range of standard products ranging from 150 to 16,000 kg
- Extensive vertical integration and technological leadership: more than 90% of all mechanical, hydraulic and electrical parts used are manufactured in-house
- Therefore perfectly geared up to develop and manufacture tailor-made lifts and creative client-oriented solutions



3- Superior finish

- Low maintenance bearings and grease nipples in all critical articulation points
- Piston rods in hard-chromed stainless steel for all cylinders exposed to adverse weather conditions
- Best possible protection against corrosion: **HOT-DIP ZINC PLATED finish** or **Protection PLUS finish** on the majority of lifts

**HOT-DIP
ZINC PLATED**

KTL POWDER
painted + coated
Protection PLUS



4- Economic & budget friendly

- Optimum price-quality ratio
- Lifts designed to allow easy maintenance
- Attractive spare parts prices and low maintenance costs
- Longer life-time and durability



5- Strong environmental focus



- Use of Best Available Techniques in surface treatment and waste water treatment
- Use of rain water for industrial purposes
- Application of wind and solar energy to power manufacturing processes
- Maximum elimination of lost packaging material
- ISO 14001 certified



6- The safe and clever buy

- Modern lift range offering many safety features and functional options
- Professional service network in more than 60 countries across the world
- More than 550.000 units sold are the proof of customer satisfaction and loyalty
- Preferred choice of many transport companies, fleet-owners, rental companies and truck body manufacturers

(*) Generic characteristics for most types of commercial lifts

Best possible protection for your investment

DHOLLANDIA uses 2 premium surface treatment finishes for steel components, raising the quality and corrosion protection of the finished product to the absolute top in the tail lift industry.

Most popular commercial lifts are supplied in **HOT-DIP ZINC PLATED finish**, the less common lifts in **Protection PLUS finish**.



DHOLLANDIA's **Protection PLUS** paint finish combines innovative technologies to raise the quality and corrosion protection of its tail lifts to the highest level.

Protection PLUS incorporates 4 important steps:

1. Shot blasting of the steel substrate
2. 3-cation zinc phosphate
3. KTL cathodic dip epoxy coating (KTL = Katodische Tauch-Lackierung)
4. Polyester powder top coat

E-coat (KTL)



Polyester powder coat



HOT-DIP ZINC PLATING is based on the metallurgic bond between the steel parts and zinc, melted at 460 °C. The zinc-iron alloys formed in this way, offer a number of clear advantages:

**HOT-DIP
ZINC PLATED**

- ▶ **Best possible protection against corrosion**
- ▶ Improved metallurgic characteristics
- ▶ Better protection against shocks and wear
- ▶ Protects the outside **and inside** of steel structures (unlike e-coat or conventional paint systems, whose effect is limited to the painted outside surfaces)

Hot zinc melted at 460 °C



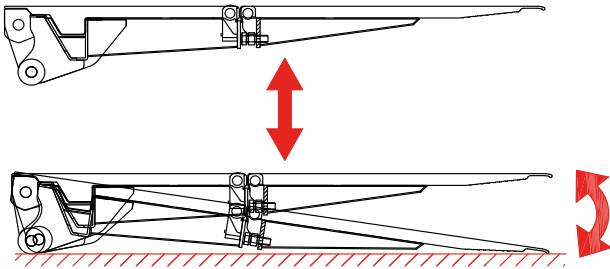
Green technology: life cycle assessments have proven that zinc-plating is the most environmentally friendly method of anti-corrosion protection.

Different types of RIDE

The **RIDE** of a lift describes the movement that its platform goes through when lowering from the vehicle floor to the ground; or vice versa when lifting from the ground to the vehicle floor.

DHOLLANDIA mainly uses 3 types of rides.

1 Wedge or conical platform Level ride + automatic tilt at ground level



When lowering, the platform remains level from the vehicle floor down until the platform rollers touch the ground. Next, the platform tilts down to an inclined position that allows loading and unloading.

When lifting off the ground, the platform first tilts up from its inclined position on the ground to the horizontal level, then continues a level ride to the vehicle floor.

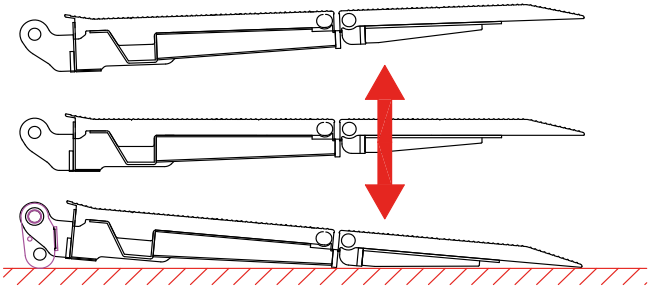
Recommended for:

- ▶ higher capacity applications, heavier loads
- ▶ applications where easy on- and off-loading of pallets with pallet jacks is required
- ▶ applications where adjustable platform orientation is required (tilt cylinders)

Used on:

DH-L and DH-S lifts, most DH-R lifts

② Half-dip ride



When lowering, the platform progressively tilts down from a level position at the vehicle floor to an inclined position at the ground. (And vice versa when lifting).

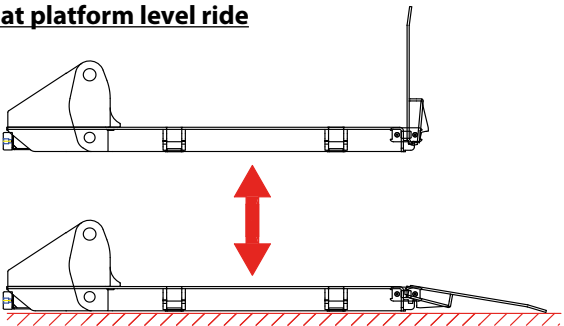
Recommended for:

- ▶ applications where the load is stable on the platform: parcels, tyres, boxes, white & brown goods, drums, etc...
- ▶ Low-budget, low-maintenance environment

Used on:

DH-RP lifts

③ Flat platform level ride



The platform remains level during the full lifting / lowering cycles. The rear end of the platform can be a fixed leading edge, or hinged ramps which adjust more easily to uneven surfaces.

Recommended for:

applications where the load is unstable on the platform: roll-cages, tall and top-heavy objects

Used on:

DH-LK and DH-SK lifts, most column lifts, most passenger lifts

Control units for all applications...



DHOLLANDIA offers a wide variety of different control units to suit particular lift models, special applications and the client's individual requirements. Instructions for mounting and risk analysis are available in the mounting instructions.

Most popular auxiliary controls



OAE001



OAE005



OAE011



OAE015



OAE060



E0452 / E0453

Most commonly used exterior control boxes

(conform with CE safety regulations, all exterior control boxes sold in Europe have mandatory 2-hand control)



OAE030.BT

Exterior control box with joy-stick, safety switch and main battery isolator switch



OAE031.Z (OAE035.Z)

3+1 button (or 4+1 button) control unit, integrated in the body panel, or mounted under the vehicle body, without isolator switch



OAE039.BP

Exterior control unit incorporated in the cover of the pump unit, with joy-stick, safety switch and main battery isolator switch



OAE041.BP

Arctic exterior control box with IP67 rated push buttons, safety switch and main battery isolator switch



OAE043.BT

Slim-line arctic exterior control box with IP67 rated toggle switches and main battery isolator switch



... and an endless list of options to choose from



DHOLLANDIA offers an almost endless list of electrical, hydraulic and mechanical options to fine-tune the lift to the client's individual requirements.

The most popular options involve:

- ▶ Control & ergonomics: various main and auxiliary controls
- ▶ Visibility: flashing platform lights & flags
- ▶ Load handling: roll-stops for pallets and roll cages
- ▶ Stability: hydraulic and mechanical stabilising legs
- ▶ Access: side loading ramps
- ▶ Operator safety: safety rails and fall protection, anti-slip platform surface finish & coatings
- ▶ Installation: quick-fit mounting solutions, plug & play connections
- ▶ Independence: battery & charging systems
- ▶ Finish: HOT-DIP ZINC PLATING, Protection Plus or individualised RAL colour schemes

Professional service network

Original spare parts



DHOLLANDIA spare parts =
100% original
100% reliable
100% compatible

DHOLLANDIA lifts are being distributed in more than 60 countries worldwide, through a dedicated and professional network of DHOLLANDIA Area Sales & Service Centres and official independent distributors.

Each of these country distributors holds substantial stock of lifts and original spare parts and can support clients with:

- ▶ commercial and technical advice
- ▶ maintenance, repair and road-side assistance
- ▶ fitting and fitting assistance
- ▶ training on any of the subjects above and operator training

Reading help

Lift capacity

Hydraulic tail lifts are not designed to LIFT / LOWER weights corresponding to their nominal capacity over the full surface of the platform. The nominal capacity is valid at a certain distance or centre of gravity, measured behind the rear of the vehicle body. Behind that centre, which is marked on the platform, the maximum safe working load of any brand of tail lifts diminishes according to specific load diagrams supplied with the lift.

Since lifts are being sold in many capacities and with various centres of gravity, it may seem a difficult task to make an objective comparison. Therefore, the concept load moment combines the nominal lift capacity with the applicable centre of gravity. It allows us to compare the total performance of the machine and to get some appreciation of its ability to endure heavy duty conditions over a longer time period.

Load moment = lift capacity x centre of gravity

Example: 2 lifts with identical capacity but different centre of gravity:

Type DH-LM.20 :

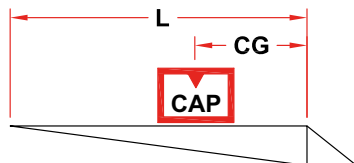
CAP	CG	LM
1500 kg	750 mm	11.25 kNm
2000 kg	750 mm	15 kNm

Type DH-LM.30 :

CAP	CG	LM
1500 kg	1000 mm	15 kNm
2000 kg	1000 mm	20 kNm
2500 kg	1000 mm	25 kNm
3000 kg	1000 mm	30 kNm



2000 kg x 750 mm
20 kN x 0.75m = 15 kNm



$$LM = CAP \times CG$$

CAP = nominal lift capacity
CG = centre of gravity
LM = load moment = CAP x CG

Units of measurement

Unless stated otherwise within the text, all weights are expressed in kg and all dimensions in mm.

Weight indications of the lifts

Weights:

STEEL platform	
1750 mm	? kg
2000 mm	? kg

ALU platform	
1800 mm	? kg
2000 mm	? kg

DHOLLANDIA lifts are available with a wide choice of different lift arms, lift frames and mounting plates, to allow integration to a wide variety of vehicles in optimum circumstances. Furthermore, most lifts are available with different platform designs and a long list of options to adapt the lift to the client's individual needs.

As a consequence, the weights mentioned in our sales literature are indicative and must be read : "from ... kg onwards". The real weights might vary according to the type of vehicle and the execution of the lift. Ask your national DHOLLANDIA distributor for further detail.

Voltage

Unless stated otherwise within the text, all systems mentioned are designed for 12V - 24V commercial vehicles. Other voltage systems are available on request.

Half width platforms, foldable platforms

All types of cantilever lifts (see chapter 3) are available with the standard platform, covering the full width of the vehicle body. But certain types are also available with half width or partial width platforms and vertically foldable platforms.

This possibility is indicated as follows:



Full width platform available



Half / partial width platform available



Half width frame + foldable platform available



Half / partial width platform not available



Half width frame + foldable platform not available



1



Passenger lifts





→ Passenger lift for Multi Passenger Vehicles, minibuses and ambulances

DH-PH1.03 • 300 kg



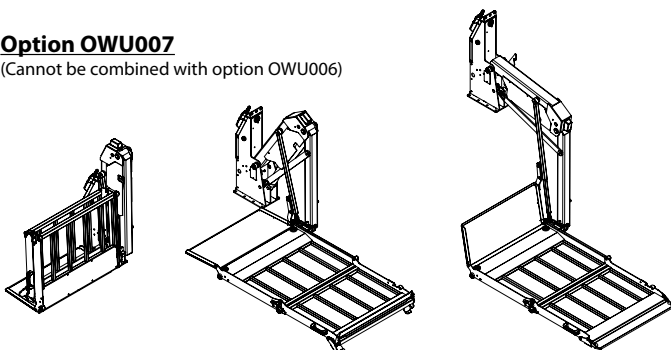
The DH-PH1 is a **linear 1-arm lift**, suitable for mounting inside the rear or side doors of a wide range of Multi Passenger Vehicles, minibuses and ambulance vehicles.

In its standard configuration, the DH-PH1 has its travel position just inside the doors of the vehicle. As an option, it can be equipped with an **articulated frame**, that allows to stow the platform against the side of the body, keeping the access through the vehicle doors completely free.

The DH-PH1 can be mounted at the rear doors or at the side door; at the left or right side in the door aperture.

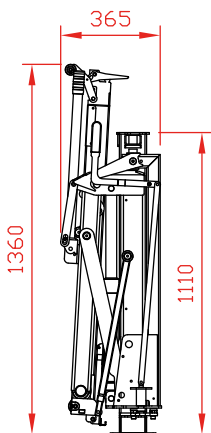
Option OWU007

(Cannot be combined with option OWU006)

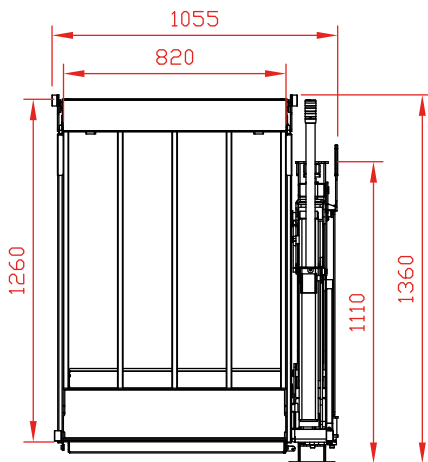


Step-in model, easy to use and flexible

OWU006 in travel position
mounted right side



OWU006 in work position
mounted right side



Lift capacity

Weights [see pg. 15]

Fitting dimensions

CAP		Standard	OWU006	ARM	600	700
300 kg	1260 mm	123 kg	139 kg	K max.	700	950

Technical specifications

Lift frame	<ul style="list-style-type: none"> • 1 lift arm • Standard = fixed frame: the closed platform stands in the door aperture • Option OWU006 = articulated frame: the platform can be stowed in a travel position against the side of body
Cylinders	1 lift cylinder
Type of ride [see pg. 8-9]	Flat platform, level ride
Platform details	<ul style="list-style-type: none"> • Reinforced platform in meshed steel • Automatic roll-stop at the rear edge of the platform • Automatic bridge plate and toe-guard at the front edge of the platform
Safety rails	1, folding automatically
Standard platform depths	1080 - 1170 - 1260 mm Other depths on request (OWP002.L)
Standard platform widths	820 standard / 720 optional (OWP002.W)
Standard control unit [see pg. 10]	OAE001
Standard finish of the lift frame	Protection PLUS [OAT102]



→ Passenger lift for Multi Passenger Vehicles, minibuses and ambulances

DH-PH2.03 • 350 kg

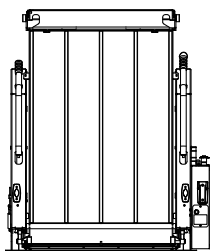


The DH-PH2 belongs to a new generation (2010-...) of **fully automatic linear passenger lifts**. It is suitable for mounting inside the rear doors of a wide range of Multi Passenger Vehicles, minibuses and ambulance vehicles.

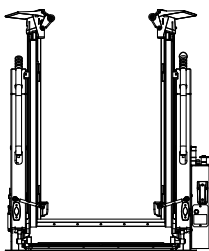
In comparison to the 1-arm model, the reinforced construction with 2 lift arms provides maximum platform stability. It increases the safety and sense of safety of the platform occupants.

The OWU003 with **horizontally folding platform** can be mounted in smaller vehicles and offers an improved rear view to the driver and passengers. The OWU001 / 002 with **vertical split platform** offer excellent rearward vision and an easy access to the vehicle interior.

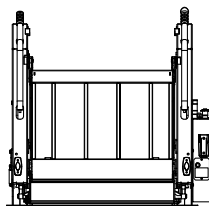
Standard



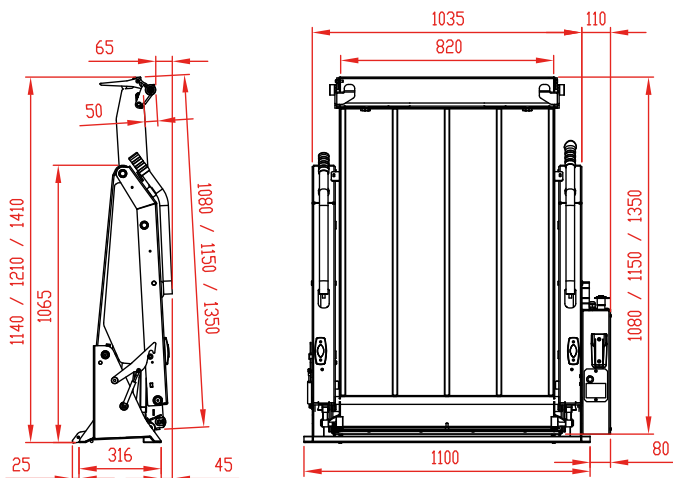
Option OWU001 / OWU002



Option OWU003



Safe, reliable and comfortable lift with 2 lift arms



Lift capacity

CAP
350 kg

Weights [see pg. 15]

Meshed steel 350 kg	
1350 x 820	138 kg
1150 x 820	134 kg
1080 x 820	132 kg
OWU001	+10 kg
OWU003	+6 kg

Fitting dimensions

ARM	700
K max.	900

Technical specifications

Lift frame	2 lift arms
Cylinders	2 lift cylinders
Type of ride <small>[see pg. 8-9]</small>	Flat platform, level ride
Platform details	<ul style="list-style-type: none"> Reinforced platform in meshed steel Automatic roll-stop at the rear edge of the platform Automatic bridge plate and toe-guard at the front edge of the platform
Safety rails	2, left & right, folding automatically
Standard platform depths	1080 - 1150 - 1350 mm Other depths on request (OWP002.L)
Standard platform widths	820 standard / 920 optional (OWP002.W)
Standard control unit <small>[see pg. 10]</small>	OAE001
Standard finish of the lift frame	Protection PLUS [OAT102]



→ Passenger lift for Multi Passenger Vehicles, minibuses and ambulances

DH-PH2.05 • 500 kg

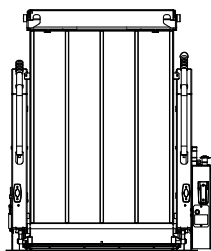


The reinforced linear 2-arm lift offers 500 kg lift capacity and fulfills the most demanding requirements of the passenger transport sector. The platform depth can be extended to 1600 mm to **load and unload hospital stretchers**. The platform width can be increased to 920 mm to suit **bariatric applications**, both wheelchairs and stretchers.

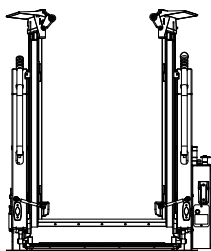
In comparison to the DH-PH2.03, this heavy duty model has a reinforced lifting mechanism, a stronger pump unit and longer lift arms suitable for floor levels up to 1150 mm above the ground.

The "bariatric" lift is available in 2 executions: a standard full-closure platform; and a vertical split platform (option OWU001).

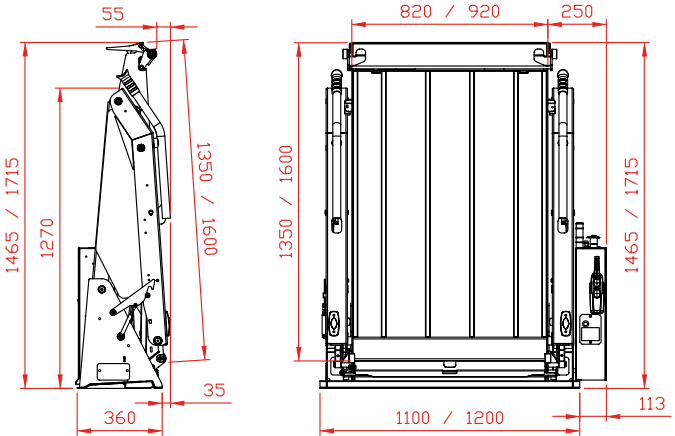
Standard



Option OWU001 / OWU002



Bariatric 500 kg internal passenger lift



Lift capacity

CAP
500 kg

Weights [see pg. 15]

Meshed steel 500 kg	
1350 x 820	180 kg
1600 x 920	190 kg
OWU001	+15 kg

Fitting dimensions

ARM	800
K max.	1150

Technical specifications

Lift frame	2 lift arms
Cylinders	2 lift cylinders
Type of ride [see pg. 8-9]	Flat platform, level ride
Platform details	<ul style="list-style-type: none"> Reinforced platform in meshed steel Automatic roll-stop at the rear edge of the platform Automatic bridge plate and toe-guard at the front edge of the platform
Safety rails	2, left & right, folding automatically
Standard platform depths	1350 - 1600 mm Other depths on request (OWP002.L)
Standard platform widths	820 standard / 920 optional (OWP002.W)
Standard control unit [see pg. 10]	OAE001
Standard finish of the lift frame	Protection PLUS [OAT102]



→ Passenger lift for minibuses and ambulances

DH-LSPH.05 • 500 kg



The DH-LSPH responds to the growing demand for more **robust passenger lifts** with **higher capacity** and **increased platform surface**.

The spacious platform is manufactured from meshed steel, to evacuate rain water, snow, dirt,... very quickly off the platform surface. At the rear end, a 100 mm high **automatic roll-stop** prevents the wheelchair from unintentional rolling off the platform. As an option, the platform can be hot-dip zinc plated and equipped with **safety rails**, foot controls and platform lights.

Adapted **bolt-on mounting plates** are available for most types of minibuses, to enable quick and easy fitting.

Lift capacity

CAP
500 kg

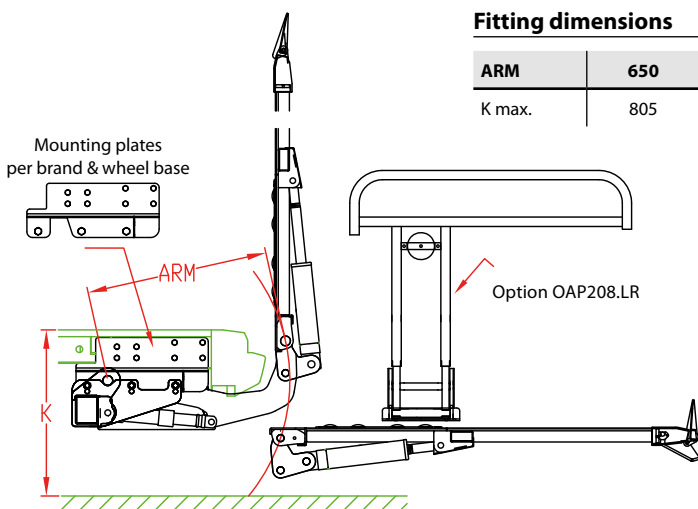
Weights [see pg. 15]

Meshed steel	
1500 mm	190 kg

Heavy duty lift for taxis and ambulances

Fitting dimensions

ARM	650
K max.	805



Technical specifications

Lift frame	100 x 80 mm
Cylinders	2 lift cylinders + 1 tilt cylinder
Type of ride [see pg. 8-9]	Wedged platform. Level ride + automatic tilt at ground level
Platform construction	<ul style="list-style-type: none"> • Meshed steel, powder coated RAL 9010 as standard, hot-dip zinc plating as option (OAT124) • Automatic roll-stops 100 mm high
Safety rails	Option OAP208.LR: 2 rails, left & right, folding manually
Standard platform depths	Steel : 1500 mm Other depths on request (OAP302.S)
Standard platform widths	1300 mm Other widths on request (OAP303)
Standard control unit [see pg. 11]	OAE031.Z
Standard finish of the lift frame	Protection PLUS [OAT102]

Special mounting brackets are available for:

- Citroën Jumper / Relay
- Fiat Ducato
- Ford Transit
- Iveco Daily
- Mercedes Sprinter
- Peugeot Boxer
- Renault Master FWD / Trafic
- Opel Movano FWD / Vivaro
- Volkswagen Crafter / LT
- Nissan NV400 / NV200
- LDV Maxus V80



→ Passenger lift for minibuses, midibuses, coaches and ambulances

DH-VZH.03 • 300 kg



The interior column lift DH-VZH is designed to suit a wide range of Multi Passenger Vehicles, minibuses, coaches, trains, ...

In its travel position, the platform is **stowed against the side panel** of the vehicle. Upon use, the lift frame is turned to a work position outside the vehicle. Then the platform is opened and the safety rail and bridge plate are deployed, all by hand. The hydraulic lift functions are operated by means of 2 buttons integrated in the lift column.

The standard platform is made of 1 single section. **Foldable platforms** (option S719) are available for vehicles with insufficient door aperture, or in order to increase the overall useful platform surface.

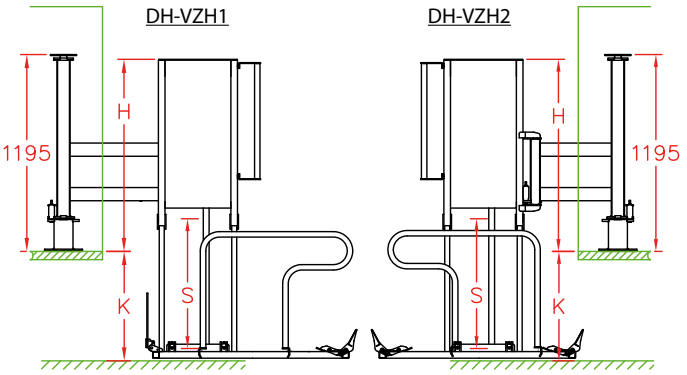
Lift capacity

CAP
300 kg

Weights [see pg. 15]

Meshed steel	
860x1200 mm	155 kg

Column lift with free access through the doors



Fitting dimensions

Stroke S	750	1150 (1)	1550 (2)
K max.	700	1100	1500
H	1165	1565	1965

(1) Option S716 (2) Option S717

Technical specifications

Lift frame	<ul style="list-style-type: none"> Column lift with single pillar VZH1: frame with 1 articulation point. In work position the platform stands right behind the body VZH2: frame with 2 articulation points. The platform can pivot towards the pavement
Cylinders	1 lift cylinder
Type of ride [see pg. 8-9]	Flat platform, level ride
Platform details	<ul style="list-style-type: none"> Platform in meshed steel VZH1: hinged bridge plate at the front edge of the platform VZH2: platform in 1 single section Mechanical roll-stop at the point
Safety rails	1, folding manually
Standard platform dimensions	860x1200 mm Other dimensions (S718) & foldable platforms (S719) available on request
Standard control unit	2-button control integrated in the lift column
Standard finish of the lift frame	Protection PLUS [OAT102]



→ Passenger lift for ambulances

Ambulance lifts 500 - 1000 kg



Flexible solutions to suit special customer requirements

DHOLLANDIA is a lift manufacturer in the true sense of the word: more than 90% of the components used on our lifts, are manufactured and assembled in-house.

Our powerful production apparatus and our premium **flexibility** enables us to develop and offer **creative client-orientated solutions**.



Our product portfolio contains a wide variety of realisations for the handling of wheelchairs, hospital beds, stretchers, bariatric stretchers etc...

These ambulance lifts are available as **full-width** platform, **half-width** platform, full-width platform with a **folding section** to leave the access through one door free, with (telescopic) **safety rails**, special **roll-stop** designs etc...

Upon realisation of each project, the focus on customer requirements takes a central position.



→ Passenger lift for Multi Passenger Vehicles, mini- and midi buses and ambulances

DH-CH001.03 • 300 kg



The passenger lift DH-CH001 stows neatly in a sealed cassette box under the loading floor of the vehicle. This solution keeps the **access through the rear doors free** and **occupies no space inside the vehicle**.

The DH-CH is **retracted hydraulically**, the platform point, bridge plate and safety rails are deployed by hand.

Its slim platform (only 20 mm thick) enables wheelchair passengers to embark and disembark with minimal effort.

The cassette is equipped with a full width **aluminium step** with anti-slip profiling, helping operators to step in and out of the vehicle safely.

Lift capacity

CAP
300 kg

Weights [see pg. 15]

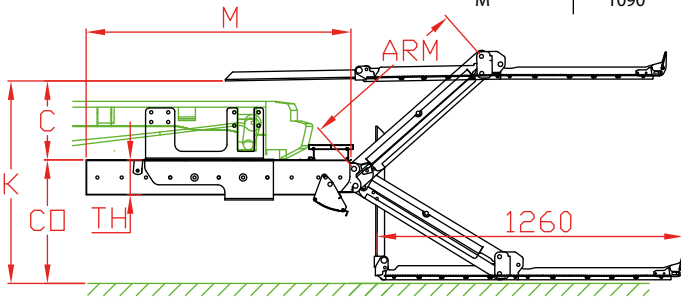
Alu / Alu	
1260x800 mm	170 kg

Short cassette lift with foldable platform



Fitting dimensions

ARM	700
K max.	850
C max.	350
CO max.	500
TH	145
M	1090



Technical specifications

Lift frame	2 lift arms
Cylinders	2 lift cylinders + 2 fixed stabilisers
Retraction in / out	Hydromotor + gear wheel system
Type of ride [see pg. 8-9]	Flat platform, level ride
Platform details	<ul style="list-style-type: none"> • Steel frame + alu infill profiles • Automatic roll-stop at the rear edge of the platform • Bridge plate and toe-guard at the front edge of the platform
Safety rails	2, left & right, folding manually
Standard platform dimensions	1260 x 800 mm
Standard control unit	3-button remote control with spiral cable
Standard finish of the lift frame	KTL epoxy e-coating



→ Passenger lift for midibuses and coaches

DH-CH.100-103 • 350 - 500 kg



The DH-CH100...103 are **heavy duty cassette lifts**, to assist wheelchair passengers to embark or disembark the midibus or coach in optimum safety.

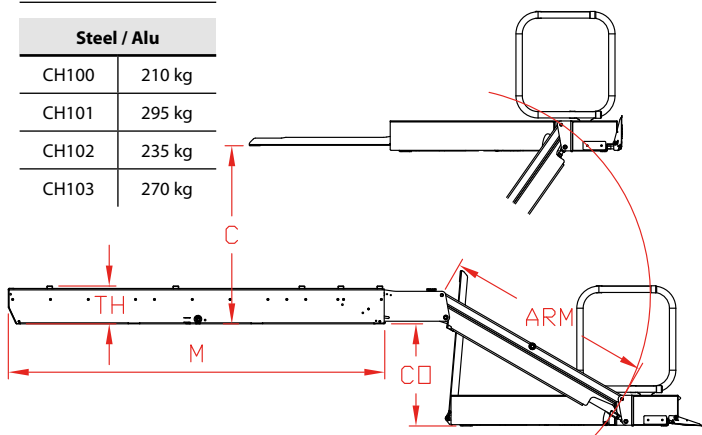
The various lifts in this range are specially designed for particular mounting positions, under the chassis, in a compartment high above the ground (e.g. above wheel box), or integrated in the stairs at the access door.

The DH-CH100...103 are equipped with a firm, single-piece platform, eliminating as many components as possible (reduced maintenance).

Robust, heavy duty cassette lifts with single-piece platform

Weights [see pg. 15]

Steel / Alu	
CH100	210 kg
CH101	295 kg
CH102	235 kg
CH103	270 kg



Fitting dimensions

Type	ARM	CAP	CO max.	TH	M	C min.	C max.	K max.
CH100	800	350	570	191	1917	530	590	1160
CH100-M	1050	350	700	191	1917	660	780	1480
CH101	1680	350 / 500	1250	205	2250	280	350	1600
CH102 [S]	800	350	500	150	1995	290	680	1180
CH102-OV [S]	1100	350	780	150	1995	190	400	1180
CH103 [S]	1100	350 / 500	535	200	1995	380	940	1475
CH103-1300 [S]	1300	350	640	200	2195	530	1150	1790
CH103-1280 [S]	1280	350 / 500	600	200	1995	485	1135	1735

[S] = suitable for integration in the access stairs of the bus

Technical specifications

Lift frame	2 lift arms
Cylinders	2 lift cylinders
Retraction in / out	Electric motor + gear wheel system
Type of ride [see pg. 8-9]	Flat platform, level ride
Standard platform dimensions	1200 x 800 mm (LxW)
Platform details	<ul style="list-style-type: none"> Aluminium platform with anti-slip coating Automatic roll-stop at the point Automatic bridge plate to the vehicle floor
Safety rails	2, left & right, folding manually
Standard control unit [see pg. 10]	OAE001
Standard finish of the lift frame	KTL epoxy e-coating



→ Passenger lift for midibuses and coaches

DH-CH.002-003 • 350 kg



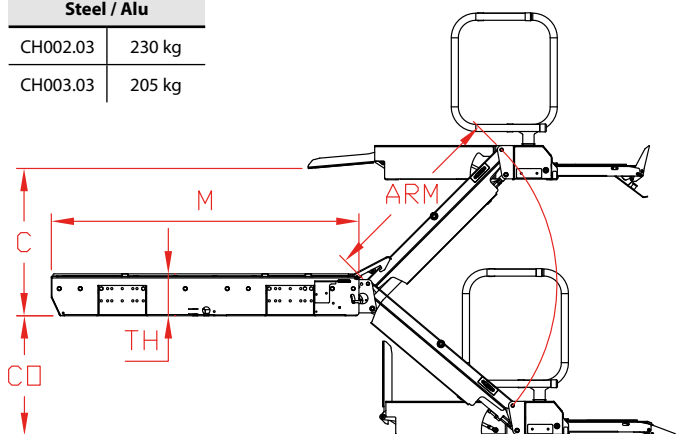
In comparison to the DH-CH100...103, the DH-CH002 and -CH003 are equipped with **extensible platforms**, significantly **reducing the required fitting space** under or inside the vehicle.

Both lifts are mounted below the floor or chassis of the vehicle, at the rear door or at the side door. The platform of the DH-CH002 is hydraulically extensible. The extension part of the DH-CH003 platform is extended / retracted by hand.

Short cassette lift with extensible platforms

Weights [see pg. 15]

Steel / Alu	
CH002.03	230 kg
CH003.03	205 kg



Fitting dimensions

Type	ARM	CAP	CO max.	TH	M	C min.	C max.	K max.
CH002.03	900	350	570	200	1475	370	700	1270
CH003.03.01	950	350	730	130	1500	190	350	1080
CH003.03.02	950	350	730	130	1800	190	480	1210

Technical specifications

Lift frame	2 lift arms
Cylinders	2 lift cylinders
Retraction in / out	Electric motor + gear wheel system
Type of ride [see pg. 8-9]	Flat platform, level ride
Standard platform dimensions	1200 x 800 mm (LxW)
Platform details	<ul style="list-style-type: none"> • Aluminium platform with anti-slip coating • Automatic roll-stop at the point • Automatic bridge plate to the vehicle floor
Safety rails	2, left & right, folding manually
Standard control unit [see pg. 10]	OAE001
Standard finish of the lift frame	KTL epoxy e-coating



→ Passenger lift for coaches

DH-RB.05 • 350-500 kg



The **fold-away** lift DH-RB is specially designed for coaches, to help wheelchair passengers to embark and disembark the vehicle in a comfortable and safe manner.

In its travel position, this lift is neatly folded away in the **area below the door exit on the upper aisle** of the coach.

Upon deployment, the platform is first lowered to the ground, then unfolded into work position.

The standard model is mounted directly under the vehicle door. As an option, it can be equipped with a **side-shift frame** (option S981), making it suitable for coaches where the door position is offset from the fitting space of the lift.

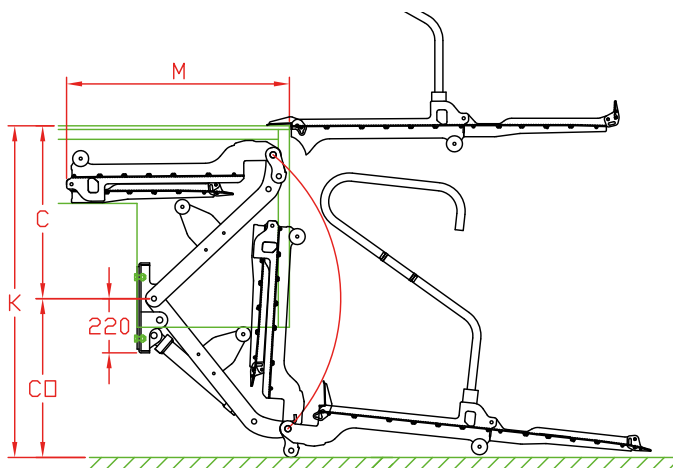
Lift capacity

CAP
350 kg
500 kg

Weights [see pg. 15]

Alu / Alu	
1380 mm	175 kg +

Powerful fold-away lift for the heaviest wheelchairs



Fitting dimensions

ARM	760	820	880	940	1000
K max.	1410	1510	1610	1710	1810
C max.	on request - ask for study drawing				
CO max.	on request - ask for study drawing				
M (platform)	± 915				

Technical specifications

Lift frame	Base plate to be bolted to the vehicle chassis
Cylinders	<ul style="list-style-type: none"> • 1 central lift cylinder for max. platform stability • 2 fixed stabilisers for the platform orientation
Type of ride [see pg. 8-9]	Wedged platform. Level ride + automatic tilt at ground level
Platform details	<ul style="list-style-type: none"> • Aluminium platform with anti-slip surface • Manual unfolding of the platform and its point • Automatic roll-stop at the point • Automatic roll-stop at the front edge as an option (S980)
Safety rails	2, left & right, folding manually
Standard platform dimensions	1380 x 800 mm (LxW) Other dimensions on request
Lift arm lengths	760 - 820 - 880 - 940 - 1000 mm
Standard control unit [see pg. 10]	OAE001
Standard finish of the lift frame	Protection PLUS [OAT102]



→ Passenger lift for midibuses, urban buses

DH-TV.03 • 300 kg



The **DH-TV 300 kg** is specially designed for **urban buses**, to assist wheelchair passengers to embark and disembark the vehicle in a comfortable and safe manner.

The lift is usually mounted at one of the side doors of the bus and occupies the space that is otherwise occupied by the access stair. In rest position, it takes the shape and function of the **access stair** and is used by pedestrians to step in & out of the bus. Upon deployment, the system is **automatically transformed into a lifting platform** and is used to assist wheelchair users to enter & exit the vehicle.

The DH-TV is available in 3 executions:

- a **STANDARD execution** and the **MICRO-lift** (option OWU005), both with automatic deployment of the lift platform;
- a **MANUAL execution** whereby the extension part of the platform is extended / retracted by hand.

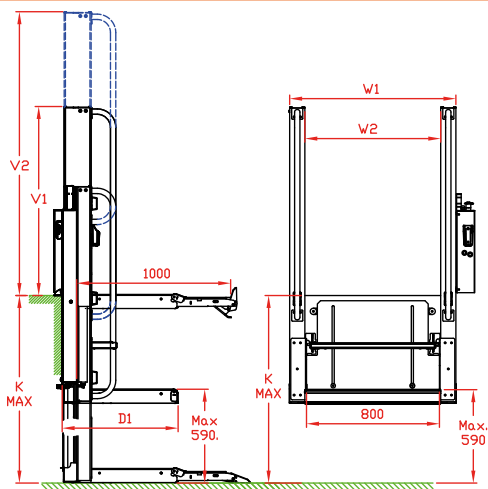
Lift capacity

CAP
300 kg

Weights [see pg. 15]

Steel construction	
Standard	185 kg
Micro	155 kg

From stair to lift platform in just 5 seconds



Fitting dimensions

Type	Standard	Micro	Manual
K max.	1185	1025	985
D1	730	630	580
V1	1135	1135	1135
V2	1735	1575	1575
W1	1050	1050	1110
W2	858	858	918

Technical specifications

Lift frame	2 lift columns in light-weight aluminium
Cylinders	2 lift cylinders with direct action on the lift system; no cables, chains or belts
Working principle	<ul style="list-style-type: none"> • Upper step articulates from horizontal to vertical position when the platform is deployed • Lower step incorporates a sliding platform, enabling to extend from a step to a wheelchair lift platform • On Standard and Micro models, the extension of the platform is automatic. On the Manual model, the extension part of the platform is manipulated by hand • Automatic roll-stop at the rear edge of the platform
Type of ride [see pg. 8-9]	Flat platform, level ride
Safety rails	2, fixed to the lift columns
Standard platform dimensions	1000 x 850 mm (*) Other dimensions on request.
Standard control unit	Control unit integrated in power pack
Standard finish of the lift frame	Columns in aluminium. Steel components in Protection PLUS [OAT102]

(*) Consult DHOLLANDIA re. CE conformity of the platform dimensions.



→ Access ramps lift for low-floor trams and buses

DH-BRMU.03 • 300 kg

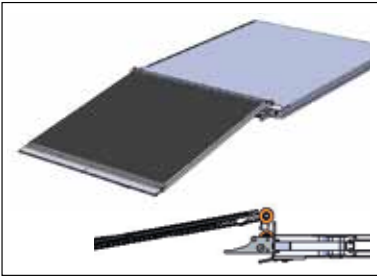


The access ramps DH-BRM... are designed to assist wheelchair passengers, parents with a baby buggy, or passengers with an otherwise impaired mobility to enter or exit the bus safely and comfortably.

Both models are retractable. The DH-BRMU.03 is designed for installation under the vehicle floor of the bus and for retrofitting. The DH-BRMO.03 is integrated in the vehicle floor. In order to minimize the number of vulnerable parts and **to maximize the operational reliability, the platform retraction on both models is operated manually.**

Electric ramps, driven by an electric motor plus chain system, are available upon special request. These can be equipped with state-of-the-art safety devices, such as: safety carpet, sensitive safety edge with emergency stop, etc...

Retractable access ramps for low-floor buses

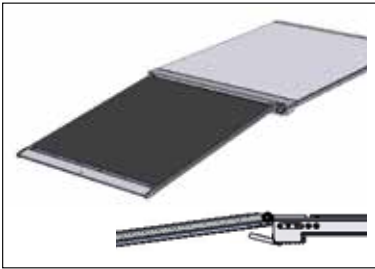


DH-BRMU.03

For installation under the vehicle floor and retrofit

Technical specifications DH-BRMU.03

Cassette dimensions	1420 x 1190 x 50 mm (L x W x H)
Platform dimensions	1090 x 1040 mm (L x W) Other dimensions available on request
Capacity	300 kg
Platform construction	Light weight aluminium platform with anti-slip surface
Retraction IN / OUT	Manual
Mounting position	Mounted under the vehicle floor Adapted for floor thickness between 45 - 55 mm
Weight indication	60 kg



DH-BRMO.03

For integrated installation in the vehicle floor

Technical specifications DH-BRMO.03

Cassette dimensions	1290 x 980 x 41 mm (L x W x H)
Platform dimensions	1090 x 908 mm (L x W) Other dimensions available on request
Capacity	300 kg
Platform construction	Light weight aluminium platform with anti-slip surface
Retraction IN / OUT	Manual
Mounting position	Integrated in the vehicle floor
Weight indication	40 kg



2

Lifts for factory built panel vans





→ Tail lift for factory built panel vans

DH-P1.03 • 300 kg



The DH-P1 is a **linear 1-arm lift**, suitable for mounting inside the rear or side doors of a wide range of Multi Passenger Vehicles and vans.

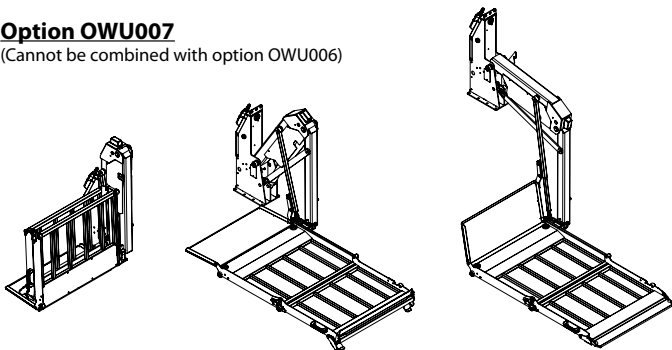
In its standard configuration, the DH-P1 has its travel position just inside the doors of the vehicle. As an option, it can be equipped with an **articulated frame**, that allows to stow the platform against the side of the body, keeping the access through the vehicles doors free.

The platform is **flat**, so that goods, such as roll-cages, white & brown goods, small machinery,..., can be loaded with minimal effort.

The DH-P1 can be mounted at the rear doors or at the side door; at the left or right side in the door aperture.

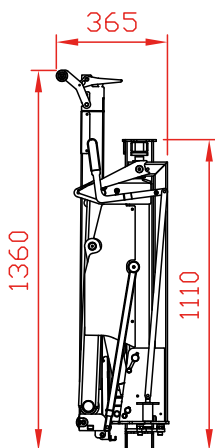
Option OWU007

(Cannot be combined with option OWU006)

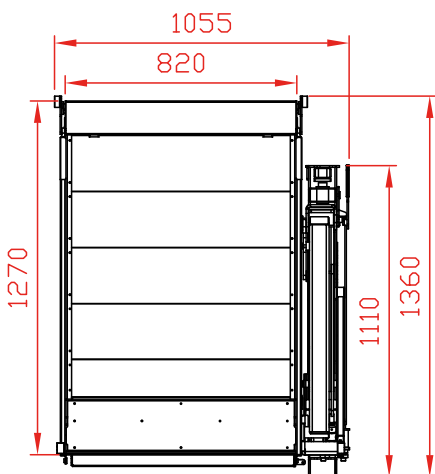


Step-in model, easy to use and flexible

OWU006 in travel position
mounted right side



OWU006 in work position
mounted right side



Lift capacity

CAP	CG	LM
300 kg	500 mm	1.5 kNm

Weights [see pg. 15]

	Standard	OWU006
	123 kg	139 kg

Fitting dimensions

ARM	600	700
K max.	700	950

Technical specifications

Lift frame	<ul style="list-style-type: none"> • 1 lift arm • Standard = fixed frame: the closed platform stands in the door aperture • Option OWU006 = articulated frame: the platform can be stowed in a travel position against the side of the body
Cylinders	1 lift cylinder
Type of ride [see pg. 8-9]	Flat platform, level ride
Platform material	Steel frame + aluminium profiles
Platform equipment	<ul style="list-style-type: none"> • Automatic roll-stop at the rear edge of the platform • Automatic bridge plate and toe-guard at the front edge of the platform
Standard platform depths	1080 - 1170 - 1260 mm Other depths on request (OWP002.L)
Standard platform widths	820 standard / 720 optional (OWP002.W)
Standard control unit [see pg. 10]	OAE001
Standard finish of the lift frame	Protection PLUS [OAT102]



→ Tail lift for factory built panel vans

DH-P2.04 • 450 kg

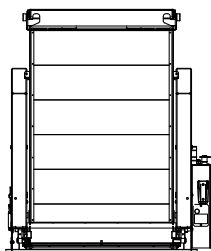


The DH-P2 is a fully automatic linear lift, suitable for mounting **inside the cargo space** of the vehicle. It can be mounted at the rear doors or at the side doors of a wide range of Multi Passenger vehicles and vans.

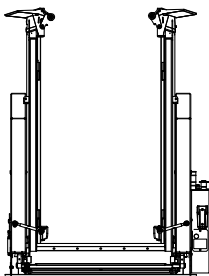
In comparison to the 1-arm model DH-P1, the reinforced construction with 2 lift arms provides additional lift capacity and maximum platform stability. It increases the stability of the load on the platform, and the safety of the operators.

The platform is **flat**, so that goods, such as roll-cages, white & brown goods, small machinery,..., can be loaded with minimal effort.

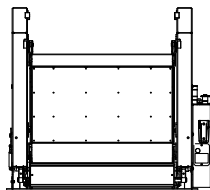
Standard



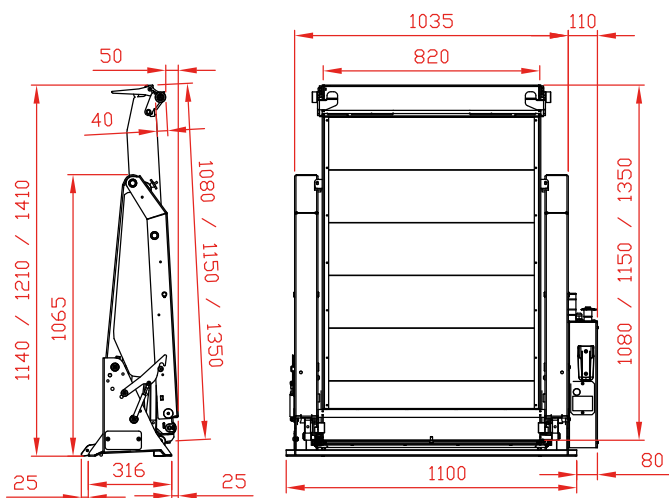
Option OWU001 / OWU002



Option OWU003



Standard 450 kg internally mounted linear 2-arm lift



Lift capacity

CAP	450 kg
CG	500 mm
LM	2.25 kNm

Weights [see pg. 15]

Alu platform	
1350 x 820	137 kg
1150 x 820	133 kg
1080 x 820	131 kg
S953	+10 kg
S957	+6 kg

Fitting dimensions

ARM	700
K max.	900

Technical specifications

Lift frame	2 lift arms
Cylinders	2 lift cylinders
Type of ride [see pg. 8-9]	Flat platform, level ride
Platform material	Steel frame + aluminium profiles
Platform equipment	<ul style="list-style-type: none"> Automatic roll-stop at the rear edge of the platform Automatic bridge plate and toe-guard at the front edge of the platform
Standard platform depths	1080 - 1150 - 1350 mm Other depths on request (OWP002.L)
Standard platform widths	820 standard / 920 optional (OWP002.W)
Standard control unit [see pg. 10]	OAE001
Standard finish of the lift frame	Protection PLUS [OAT102]



→ Lift for vans, trucks, trailers and semi-trailers

DH-P2.07 • 750 kg



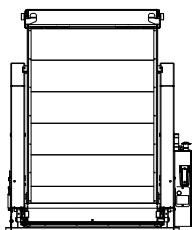
The DH-P2.07 is the **heavy-duty execution** of the DHOLLANDIA range of internally mounted lifts. It offers:

- a more powerful lift mechanism with **500-750 kg** lift capacity (subject to vehicle restrictions. Ask our advice)
- **larger platforms** up to 1600 mm long and 920 mm wide
- **increased lifting height** up to 1150 mm.

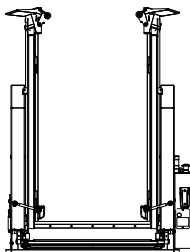
Hence, the DH-P2.07 is not only designed for factory built panel vans, but also suits larger trucks, trailers and semi-trailers.

The heavy duty linear lift is available in 2 executions: a standard full-closure platform; and a vertical split platform (option OWU001).

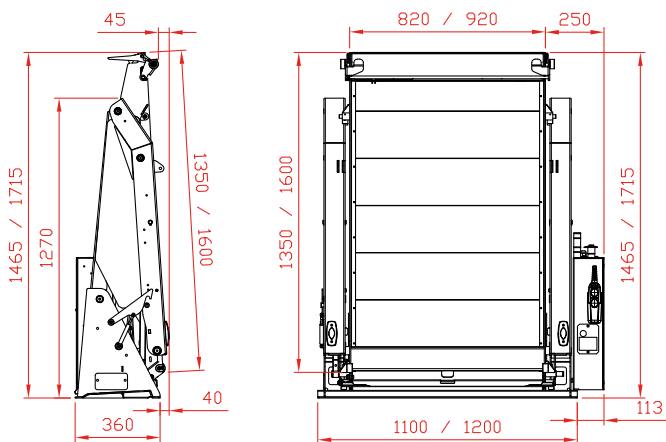
Standard



Option OWU001



Heavy duty 750 kg internally mounted linear 2-arm lift



Lift capacity

CAP	750 kg
CG	500 mm
LM	3.75 kNm

Weights [see pg. 15]

Alu platform	
1350 x 820	180 kg
1600 x 920	190 kg
OWU001	+15 kg

Fitting dimensions

ARM	800
K max.	1150

Technical specifications

Lift frame	Reinforced lift frame with 2 lift arms
Cylinders	2 lift cylinders
Type of ride [see pg. 8-9]	Flat platform, level ride
Platform material	Steel frame + aluminium profiles
Platform equipment	<ul style="list-style-type: none"> Automatic roll-stop at the rear edge of the platform Automatic bridge plate and toe-guard at the front edge of the platform
Standard platform depths	1350 - 1600 mm Other depths on request (OWP002.L)
Standard platform widths	820 standard / 920 optional (OWP002.W)
Standard control unit [see pg. 10]	OAE001
Standard finish of the lift frame	Protection PLUS [OAT102]



→ Tail lift for factory built panel vans

DH-LSP.07.04 • 500 - 750(*) kg



The DH-LSP was the first external lift ever in the tail lift industry, **engineered to suit factory built panel vans**. DHOLLANDIA still continues to lead the innovations in this field today. The intelligent shape of the lift arms **eliminates the need to cut** in the vehicle chassis or rear floor cross member, and **maximises the ground clearance** under the lift.

The passage from the platform to the vehicle floor is realised by an articulated bridge plate, available as option on this lift (OAM008).

The DH-LSP is externally mounted, it doesn't occupy any useful cargo space inside the vehicle. It offers the largest possible platform surface on factory built panel vans, and is suitable for all types of cargo, including pallets.

Lift capacity

CAP	CG	LM
350 kg	600 mm	2.1 kNm
500 kg	600 mm	3 kNm
750 kg (*)	600 mm	4.5 kNm

Weights [see pg. 15]

ALU platform	
1300 mm	185 kg
1550 mm	192 kg

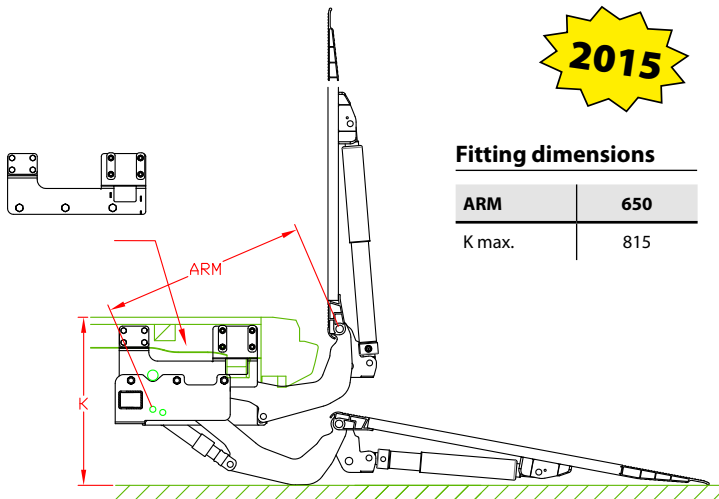
(*) Depends on vehicle restrictions.
Ask advice from DHOLLANDIA.

Largest possible platform surface on factory built panel vans

2015

Fitting dimensions

ARM	650
K max.	815



Technical specifications

Lift frame	Compact frame for max. ground clearance
Cylinders	2 lift cylinders + 1 tilt cylinder
Type of ride [see pg. 8-9]	Wedged platform. Level ride + automatic tilt at ground level
Platform material	Light-weight aluminium
Standard platform depths	Alu: 1300 - 1550 mm Longer platforms on request (OAP302.A)
Standard platform widths	Alu: 1450 mm Free up to 1550 in steps of 5 mm
Lift arm lengths	650 mm
Lift arm widths CA	240 (LSPZ half width) - 674 mm Power pack premounted for CA=240 and CA=674. Ask confirmation from DHOLLANDIA.
Standard control unit [see pg. 11]	OAE031.Z
Standard finish of the lift frame	Protection PLUS [OAT102]

Special mounting brackets are available for type 04:

- Citroën Jumper / Relay
- Fiat Ducato
- Ford Transit FWD
- Mercedes Sprinter / Vito
- Peugeot Boxer
- Renault Master FWD / Trafic
- Opel Movano FWD / Vivaro
- Volkswagen Crafter / LT / Transporter
- Nissan NV400 / NV200
- LDV Maxus V80



→ Tail lift for factory built panel vans

DH-LSP.07 • 500 - 750^(*) kg



The DH-LSP.07 types 02 and 03 are derived from the basic model DH-LSP.05. Types 02 and 03 **solve a number of mounting issues** for well-defined types of vans, that couldn't be solved elegantly with the standard model.

The **innovating shape of the lift arms** is specially designed for vans where the vertical distance between the loading floor of the vehicle and the under side of the doors is significantly above average, and eliminates the necessity to cut in the steel construction of the body.

The passage from the platform to the vehicle floor is realized by an articulated bridge plate, available as option on this lift (OAM008).

Most frequently, type 02 is mounted to Iveco Daily, Renault Master RWD and equivalent vehicles; type 03 is specially adapted to Ford Transit RWD.

Lift capacity

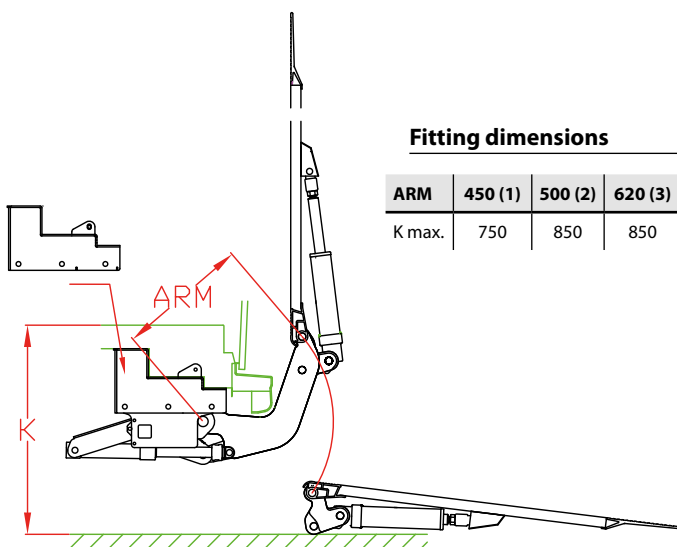
CAP	CG	LM
500 kg	600 mm	3 kNm
750 kg (*)	600 mm	4.5 kNm

Weights [see pg. 15]

ALU platform	
1300 mm	183 kg
1550 mm	190 kg

(*) Depends on vehicle restrictions.
Ask advice from DHOLLANDIA.

Largest possible platform surface on factory built panel vans



Fitting dimensions

ARM	450 (1)	500 (2)	620 (3)
K max.	750	850	850

- (1) Renault Master RWD, Opel Movano RWD, Nissan NV400 RWD
 (2) Iveco Daily
 (3) Ford Transit RWD

Technical specifications

Lift frame	Compact frame for max. ground clearance
Cylinders	2 lift cylinders + 1 tilt cylinder
Type of ride [see pg. 8-9]	Wedged platform. Level ride + automatic tilt at ground level
Platform material	Light-weight aluminium
Standard platform depths	Alu: 1300 - 1550 mm Longer platforms on request (OAP302.A)
Standard platform widths	Alu: 1450 mm Free up to 1550 in steps of 5 mm
Lift arm lengths	450 - 500 mm
Lift arm widths CA	240 (LSPZ half width) - 674 mm
Standard control unit [see pg. 11]	OAE031.Z
Standard finish of the lift frame	Protection PLUS [OAT102]

Special mounting brackets are available for:

- Renault Master RWD (T2)
- Opel Movano RWD (T2)
- Iveco Daily (T2)
- Nissan NV400 RWD (T2)
- Ford Transit RWD (T3)



→ Tail lift for factory built panel vans

Option OAT200

**Kit without
rear doors**



DH-LSPZ

**Folding
platform,
free access**



Option OAF202

**Mounting system
for ball coupling**



DH-LSP special executions

The option OAT200 is designed for the height H2 of most brands of factory built panel vans. The longer platform and the purpose built body kit **replace the original rear doors** of the vehicle.

It offers increased surface to manoeuvre loads around on the platform, and simplifies the routine of opening & closing the lift. Whilst offering excess platform surface, the applicable centre of gravity must still be observed.

In this configuration, the platform arrives flush at the loading floor. No bridge plate (OAM008) is needed. The kit and platform dimensions depend on the type of vehicle.

The DH-LSPZ is available as **half-width platform**, or with a **folding full-width platform** (option OAP406).

When the platform stands in its travel position, the driver has **free access** to the cargo space inside the van.

When large or heavy loads must be handled, the platform can be opened into horizontal work position, and unfolded to a full width platform in a matter of seconds (OAP406).

Weights [see pg. 15]

1/2 width	
1300 mm	160 kg
1550 mm	164 kg

Weights [see pg. 15]

OAP406	
1300 mm	190 kg
1550 mm	199 kg

The option OAF202 is a certified mounting system for **ball couplings for trailers**, with following specifications:

- Max. D-value = 20,2 kN
- Max. vertical load S at the coupling point = 150 kg

In most mounting situations, it is recommended to use a demountable ball coupling system (Rockinger Variobloc or equivalent).



→ Tail lift for factory built panel vans

DH-LC.15 • 1000 - 1500 kg



The DH-LC.15 offers 1500 kg lift capacity for the **higher capacity factory built panel vans** from 4.5 up to 7.5T GVW (e.g. Mercedes Vario, Iveco Daily,...).

The passage from the platform to the vehicle floor is realised by an articulated bridge plate, available as option on this lift (OAM008).

The lift concept has been engineered to maximize the ground clearance under the lift and to reduce the cut-outs in the rear cross member of the vehicle floor to a negligible minimum.

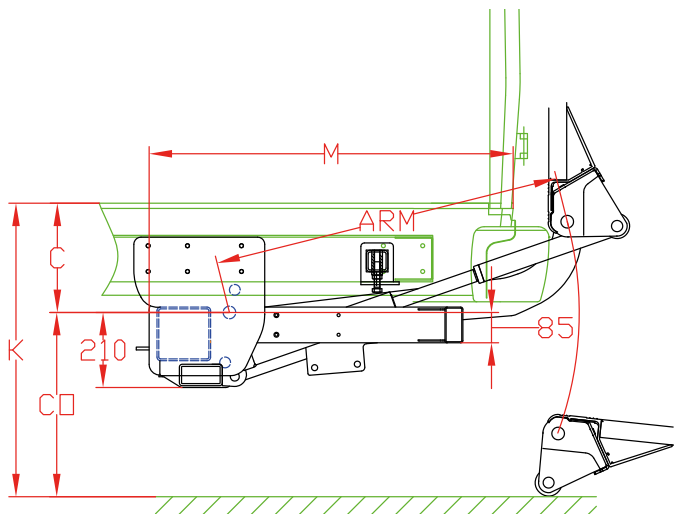
Lift capacity

CAP	CG	LM
1000 kg	600 mm	6 kNm
1500 kg	600 mm	9 kNm

Weights [see pg. 15]

ALU platform	
1250 mm	330 kg
1450 mm	337 kg
1600 mm	342 kg

For the trucks among the factory built panel vans



Fitting dimensions

ARM	980
K max.	1500
C max.	850
C min.	300
CO max.	650
M at C max.	650
M at C min.	1015

Technical specifications

Lift frame	150 x 150 mm
Cylinders	1 lift cylinder + 2 tilt cylinders
Type of ride [see pg. 8-9]	Wedged platform. Level ride + automatic tilt at ground level
Platform material	Light-weight aluminium
Standard platform depths	Alu: 1250 - 1450 - 1600 mm Longer platforms on request (OAP302.A)
Standard platform widths	Free up to 1600 in steps of 5 mm
Lift arm lengths	980 mm
Lift arm widths	500 mm
Standard control unit [see pg. 11]	OAE031.Z
Standard finish of the lift frame	Protection PLUS [OAT102]

Special mounting brackets are available for:

- Mercedes Vario



→ Cassette lift for factory built panel vans

DH-C001.03 • 300 kg



The cassette lift DH-C001 stows neatly in a sealed cassette box under the loading floor of the vehicle. This solution keeps the **access through the rear doors free** and **occupies no space inside the vehicle**.

The DH-C001 can be mounted to most types of commercial vans with a max. floor height of 850 mm.

The flat platform is suitable to handle roll-cages, small machines & equipment, white & brown goods, etc... It is not suitable to manipulate pallets.

To keep this lift light, simple and budget friendly, the retraction of the platform is done by hand.

Lift capacity

CAP	CG	LM
300 kg	500 mm	1.5 kNm

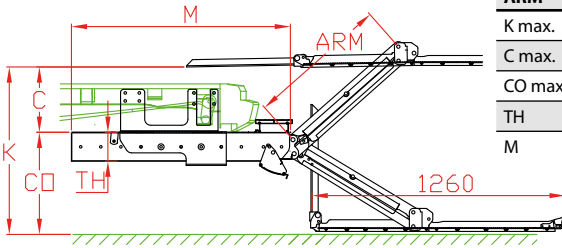
Weights [see pg. 15]

ALU platform	
Std.	145 kg

Handy to have on board, for the occasional use



Fitting dimensions



ARM	700
K max.	850
C max.	350
CO max.	500
TH	145
M	1090

Technical specifications

Lift frame	2 lift arms
Cylinders	2 lift cylinders + 2 fixed stabilisers
Type of ride [see pg. 8-9]	Flat platform, level ride
Retraction in / out	<ul style="list-style-type: none"> Manual Automatic retraction possible with model DH-CH001.03
Platform material	Steel frame + aluminium profiles
Platform equipment	<ul style="list-style-type: none"> Fixed platform point Automatic roll-stop as option (OWH100) Bridge plate and toe-guard at the front edge of the platform
Standard platform dimensions	1270 x 800 mm
Standard control unit [see pg. 10]	OAE001
Standard finish of the lift frame	Protection PLUS [OAT102]



→ Lift for vans, trucks, trailers and semi-trailers

DH-VZ.03 • 300 kg



The interior column lift DH-VZ is designed to suit a wide range of Multi Passenger Vehicles, vans, and even larger commercial vehicles.

In its travel position, the platform is **stowed against the side panel** of the vehicle. Upon use, the lift frame is turned to a work position outside the vehicle. Then the platform is opened by hand. The hydraulic lift functions are operated by means of 2 buttons integrated in the lift column.

The standard platform is made of 1 single section. **Foldable platforms** (option S719) are available for vehicles with insufficient door aperture, or in order to increase the overall useful platform surface.

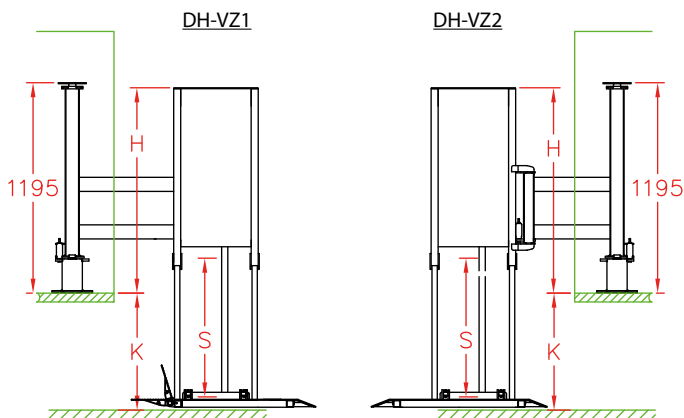
Lift capacity

CAP	CG	LM
300 kg	500 mm	1.5 kNm

Weights [see pg. 15]

ALU platform	
Std.	140 kg

Column lift with free access through the doors



Fitting dimensions

Stroke S	750	1150 (1)	1550 (2)
K max.	700	1100	1500
H	1165	1565	1965

(1) Option S716 (2) Option S717

Technical specifications

Lift frame	<ul style="list-style-type: none"> • Column lift with single pillar • VZ1: frame with 1 articulation point. In work position the platform stands right behind the body • VZ2: frame with 2 articulation points. The platform can pivot towards the pavement
Cylinders	1 lift cylinder
Type of ride [see pg. 8-9]	Flat platform, level ride
Platform material	Steel frame + aluminium anti-slip top plate
Platform details	<ul style="list-style-type: none"> • VZ1: hinged bridge plate at the front edge of the platform • VZ2: platform in 1 single section
Standard platform dimensions	VZ1: 900x800 mm • VZ2: 900x1000 mm Other dimensions (S718) & foldable platforms (S719) available on request
Standard control unit	2-button control integrated in the lift column
Standard finish of the lift frame	Protection PLUS [OAT102]



→ Lift for vans, trucks, trailers and semi-trailers

DH-VZS.03 • 350 kg



In its travel position, the interior lift **DH-VZS** is stowed against the side of the body and offers the driver **quick and free access** through the vehicle doors. Upon use, the platform is simply pulled out and opened by hand. As the platform slides straight towards the door exit, the floor space beside it can be fully occupied (as opposed to the DH-VZ.03). A wander lead with spiral cable is used to operate the platform up and down.

The DH-VZS is perfectly suitable to handle roll cages, small machines and equipment, white & brown goods, packages, e-business,...

It fulfils the needs of the professionals of the **urban distribution**, the vehicle **rental business** and the **occasional user** wanting to maximize the flexibility of his vehicle.

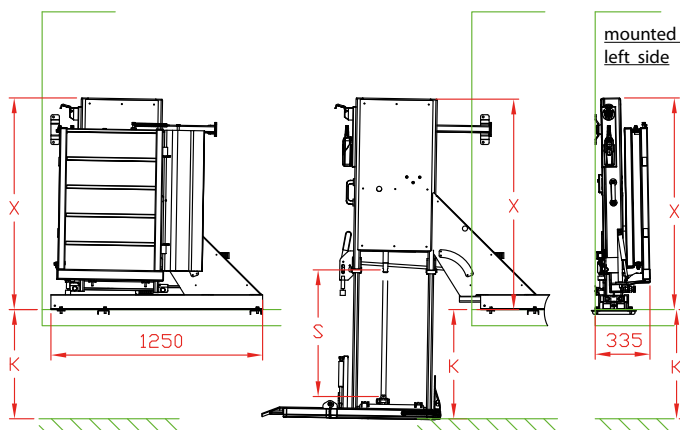
Lift capacity

CAP	CG	LM
350 kg	500 mm	1.75 kNm

Weights [see pg. 15]

ALU platform	
1000x820 mm	155 kg

Offering free access & maximum interior loading space



Fitting dimensions

Stroke S	750	850	1150	1550 (*)
K max.	620	720	1020	1420
X	1250	1350	1650	2050

(*) optional

Technical specifications

Lift frame	Telescopic lift frame, sliding in / out on a rail mounted to the vehicle floor
Cylinders	1 lift cylinder
Type of ride [see pg. 8-9]	Flat platform, level ride
Retraction in / out	Manual, the platform is pulled out and opened by hand
Platform material	Steel frame + aluminium anti-slip top plate
Standard platform dimensions	1000x820 mm or 1050x1030 mm Other dimensions on request
Platform specifications	<ul style="list-style-type: none"> • Flat platform for easy access • Fixed leading edge at rear side • Articulated bridge plate at the front side • Platform is folding for compact storage
Fitting	<ul style="list-style-type: none"> • Easy, universal mounting to a wide range of commercial vehicles • Can be mounted left or right, at the rear doors or side doors
Standard control unit [see pg. 10]	OAE001
Standard finish of the lift frame	Protection PLUS [OAT102]



→ Lift for vans, trucks, trailers and semi-trailers

DH-VZG.01 • 150 kg



The DH-VZG is a safe and easy-to-use compact interior lift, designed to handle **small loads** (parcels, boxes, barrels, small machinery,...).

Option S970 is specially adapted for **gas bottles**. It includes a smaller platform and a bottle holder to secure the bottles in vertical position.

The DH-VZG is available with a fixed frame or an articulated frame (see right page).

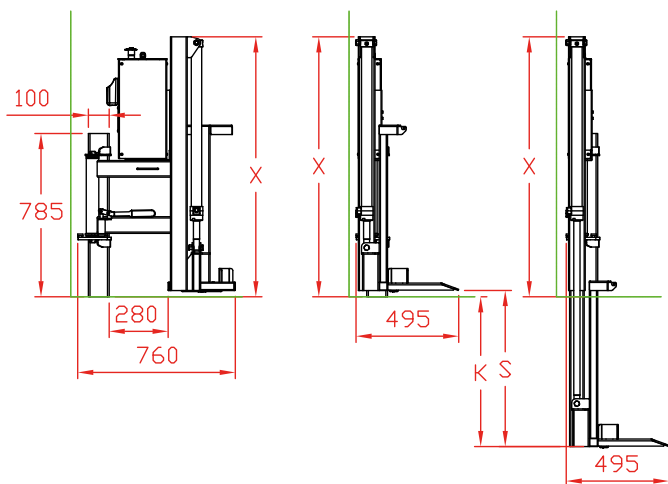
Lift capacity

CAP
150 kg

Weights [see pg. 15]

Steel platform	
Std.	70 kg

Compact, simple lift for the smallest loads



Fitting dimensions

Stroke S	750
K max.	725
X	1250

Technical specifications

Lift frame	Single column with telescopic lift mechanism
Type 1: fixed frame	The platform travels straight up / down from its mounting position in the vehicle (only suitable for chassis with body, not for factory built panel vans)
Type 2: articulated frame	The platform can pivot from a travel position inside the vehicle to a work position outside the vehicle, then go up / down (can be fitted at the rear or side doors, suitable for factory built panel vans)
Cylinders	1 lift cylinder
Type of ride [see pg. 8-9]	Flat platform, level ride
Standard platform dimensions	<ul style="list-style-type: none"> • 600x480 mm • Option S970 GAS lift: 315x340 mm
Platform specifications	Flat platform for easy access, steel
Fitting	Single column, to be mounted to the vehicle floor and to the side of the vehicle body
Standard control unit [see pg. 10]	OAE001
Standard finish of the lift frame	Protection PLUS [OAT102]



3

Cantilever lifts





→ Cantilever lift for light commercial vehicles

DH-LC.07 • 500 - 750 kg



The **2-cylinder** DH-LC is at the entry level of DHOLLANDIA's range of cantilever lifts. Thanks to its intrinsic simplicity, its low maintenance cost and its attractive pricing, this compact lift is ideal to equip **rental vehicles** and **light-duty commercial vehicles**.

The DH-LC is available with universal bolt-on mounting plates to suit regular truck chassis, or with brand-specific quick-fit mounting plates (depending on chassis type, wheel base and overhang). It suits most commercial vans and light-duty trucks up to 7.5T GVW, as well as small trailers and semi-trailers.

Lift capacity

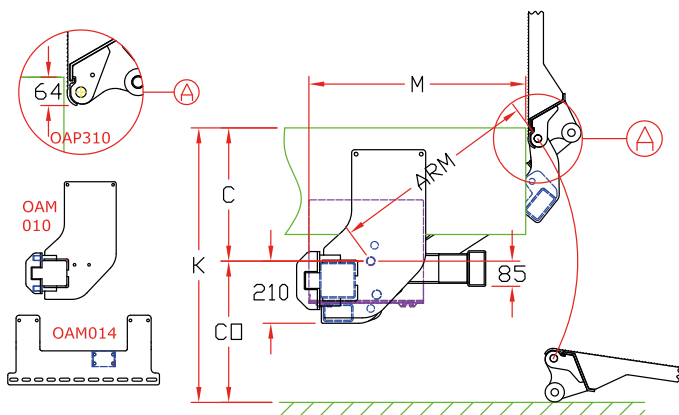
CAP	CG	LM
500 kg	600 mm	3 kNm
750 kg	600 mm	4.5 kNm

Weights [see pg. 15]

ALU platform	
1250 mm	199 kg
1450 mm	207 kg
1600 mm	213 kg

Weights incl. CE bumper

Compact, basic 2-cylinder lift



Fitting dimensions

ARM		700	850
K max.		1090	1310
C max.		520	620
C min.		300	300
CO max.		570	670
M	at C max.	675	785
M	at C min.	820	975

Technical specifications



Lift frame	120 x 120 mm
Cylinders	1 lift cylinder + 1 tilt cylinder
Type of ride [see pg. 8-9]	Wedged platform. Level ride + automatic tilt at ground level
Platform material	Light-weight aluminium
Platform overlap under floor	-64 mm
Standard platform depths	1250 - 1450 - 1600 mm (max. 1800)
Standard platform widths	Free up to 2200 in steps of 5 mm
Lift arm lengths	700 - 850 mm
Lift arm widths	620 mm
Standard control unit [see pg. 11]	OAE039.BP
Standard finish of the lift frame	KTL [OAT100]



→ Cantilever lift for light commercial vehicles

DH-LE.10 • 500 - 1000 kg



The new DH-LE is a **light-weight 2-cylinder lift**, at the entry level of DHOLLANDIA's range of cantilever lifts. Thanks to its compact lift frame and short lift arms, it ideally suits light commercial vehicles with **very short overhang**.

The ingenious lift frame construction without cross tube allows to **save weight** and (in most cases) to **leave the spare wheel in its original position**.

The DH-LE is available with a conventional lift frame to suit regular chassis, or with brand-specific quick-fit mounting plates (depending on chassis type, wheel base and overhang).

Lift capacity

CAP	CG	LM
500 kg	600 mm	3 kNm
750 kg	600 mm	4.5 kNm
1000 kg	600 mm	6 kNm

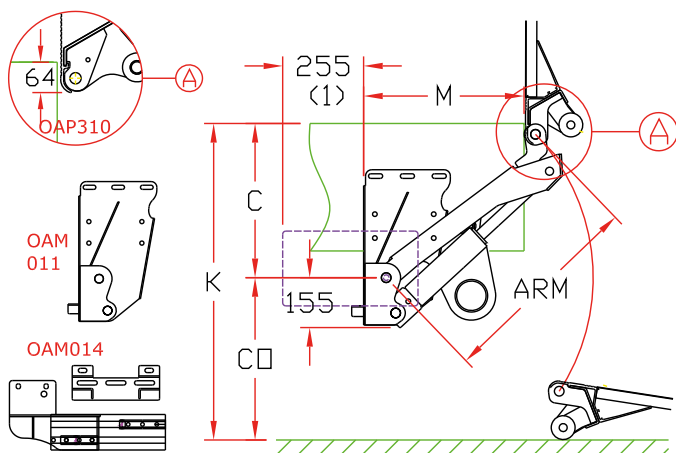
Remark: this lift is not distributed in Belgium, Germany and Sweden.

Weights [see pg. 15]

ALU platform	
1250 mm	183 kg
1450 mm	191 kg
1600 mm	197 kg
1800 mm	207 kg

Weights incl. CE bumper

Modern 2-cylinder lift for very short overhang

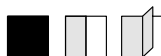


Fitting dimensions

ARM		570	650
K max.		1030	1180
C max.		480	580
C min.		300	350
CO max.		550	600
M	at C max.	370	330
M	at C min.	540	600

(1) Standard supply with horizontally positioned pump unit. Tail lift is available with vertically mounted or separate pump unit if overhang needs to be reduced further. Consult DHOLLANDIA for optimum solution.

Technical specifications



Lift frame	Compact lift frame without cross beam
Cylinders	1 lift cylinder + 1 tilt cylinder
Type of ride [see pg. 8-9]	Wedged platform. Level ride + automatic tilt at ground level
Platform material	Light-weight aluminium
Platform overlap under floor	-64 mm
Standard platform depths	1250 - 1450 - 1600 mm (max. 1800)
Standard platform widths	Free up to 2550 in steps of 5 mm
Lift arm lengths	570 - 650 mm
Lift arm widths	Adapted to the chassis width
Standard control unit [see pg. 11]	OAE030.BT
Standard finish of the lift frame	Protection PLUS [OAT102]



→ Cantilever lift for light commercial vehicles

DH-LM.10 • 500 - 1000 kg



The **4-cylinder** DH-LM.10 is DHOLLANDIA's **best seller** in the light capacity lift range. Thanks to its **superior stability** and performance in comparison to competing 2-cylinder lifts and its competitive pricing, it offers an **excellent price-quality ratio**.

The DH-LM.10 is ideal for general purpose work and distribution transport up to 1000 kg useful capacity. It is available with universal bolt-on mounting plates to suit regular chassis, or with brand-specific quick-fit mounting plates (depending on chassis type, wheel base and overhang). It suits most commercial vans and light-duty trucks up to 7.5T GVW, as well as small trailers and semi-trailers.

Lift capacity

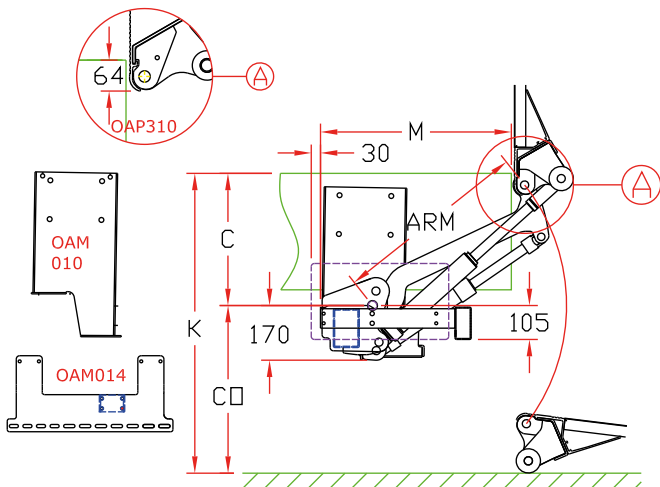
CAP	CG	LM
500 kg	600 mm	3 kNm
750 kg	750 mm	5.6 kNm
1000 kg	750 mm	7.5 kNm

Weights [see pg. 15]

ALU platform	
1250 mm	205 kg
1450 mm	213 kg
1600 mm	219 kg
1800 mm	229 kg

Weights incl. CE bumper

Best seller: superior stability and performance



Fitting dimensions

ARM		650	750	850 (*)
K max.		1080	1220	1370
C max.		530	610	690
C min.		250	300	350
CO max.		550	610	680
M	at C max.	510	570	660
M	at C min.	740	715	910

(*) 850 arms optional. Preferably use DH-LM.15. Consult DHOLLANDIA for the optimum solution.



Technical specifications

Lift frame	120 x 120 mm
Cylinders	2 lift cylinders + 2 tilt cylinders
Type of ride [see pg. 8-9]	Wedged platform. Level ride + automatic tilt at ground level
Platform material	Alu or steel (steel = 1000 kg only)
Platform overlap under floor	-64 mm
Standard platform depths	Steel: 1250-1500 mm (max. 1500) Alu: 1250-1450-1600-1800 mm (max. 2000)
Standard platform widths	Steel: 2350-2480-2500-2520-2550 mm Alu: free up to 2550 in steps of 5 mm
Lift arm lengths	650 - 750 - (850) mm
Lift arm widths	510 - 660 - 1200 mm
Standard control unit [see pg. 11]	OAE039.BP
Standard finish of the lift frame	Protection PLUS [OAT102] or Hot-dip zinc plated finish [OAT104]



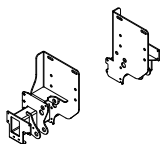
→ Cantilever lift for light commercial vehicles

DH-LMQ.07 / 10 • 500 - 1000 kg

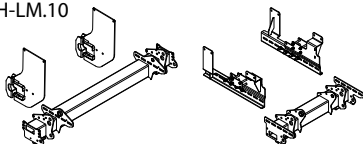


The DH-LMQ.07 (500-750 kg) and DH-LMQ.10 (500-1000 kg) are equipped with premounted mounting plates at a fixed centre distance. This strong 4-cylinder construction without cross tube allows to **save weight** and to leave the **spare wheel in its original position** (in most cases), without compromising on stability.

DH-LMQ



DH-LC.07
DH-LM.10



Lift capacity

CAP	CG	LM
500 kg	600 mm	3 kNm
750 kg	750 mm	5.6 kNm
1000 kg (*)	750 mm	7.5 kNm

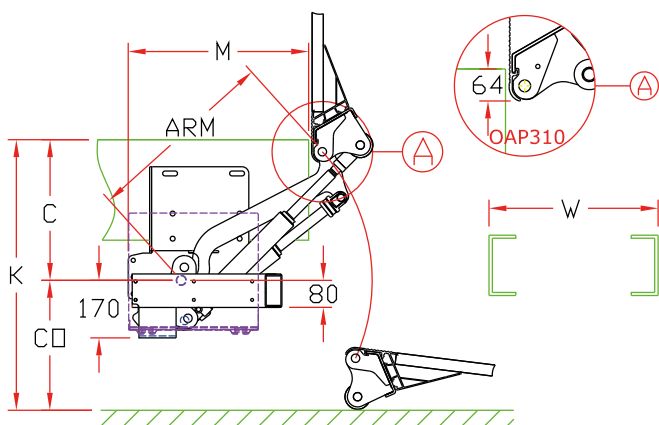
(*) DH-LMQ.10 only

Weights [see pg. 15]

LMQ.07		LMQ.10	
1250 mm	180 kg	1250 mm	195 kg
1450 mm	188 kg	1450 mm	203 kg
1600 mm	194 kg	1600 mm	209 kg

Weights incl. CE bumper

Light-weight 4-cylinder lift for short overhang

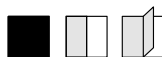


Fitting dimensions

ARM		570	650	750	850 (*)
		LMQ.07		LMQ.10	
K max.		980	1060	1220	1380
C max.		500	530	610	690
C min.		250	300	300	350
CO max.		480	530	610	690
M	at C max.	450	540	600	660
M	at C min.	650	710	815	905

(*) 850 arms optional. Preferably use DH-LM.15. Consult DHOLLANDIA for the optimum solution

Technical specifications



Lift frame	Compact lift frame without cross beam
Cylinders	2 lift cylinders + 2 tilt cylinders
Type of ride [see pg. 8-9]	Wedged platform. Level ride + automatic tilt at ground level
Platform material	Light weight aluminium
Platform overlap under floor	-64 mm
Standard platform depths	LMQ.07: 1250 - 1450 - 1600 max. LMQ.10: 1250 - 1450 - 1600 - 1800 max.
Standard platform widths	Free up to 2550 in steps of 5 mm
Lift arm lengths	LMQ.07: 570 mm LMQ.10: 650 - 750 - 850 mm
Lift arm widths CA	CA=870 W=755 • CA=975 W=860
Standard control unit [see pg. 11]	OAE039.BP
Standard finish of the lift frame	Protection PLUS [OAT102]



→ Cantilever lift for trucks, trailers and semi-trailers

DH-LM.15 • 1000 - 1500 kg



The DH-LM.15 was launched in 2012 as missing link between the 1000 and 2000 kg capacity lifts. Since then, it has become extremely popular as **ideal weight saving lift for medium capacity trucks** of 7,5T to 12T GVW.

It is considerably lighter and requires less overhang than the DH-LM.20; yet it is stronger and more robust than the DH-LM.10. It is recommended to use the DH-LM.15 instead of DH-LM.10 / LMQ.10 with 850 mm long lift arms and for 1000 kg lifts with platform depth above 1600 mm.

The mounting plates are bolt-on and fully adjustable in width.

Lift capacity

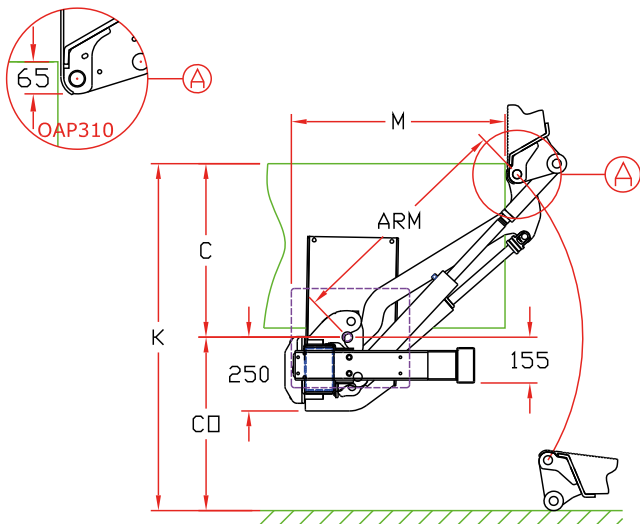
CAP	CG	LM
1000 kg	750 mm	7.5 kNm
1500 kg	750 mm	11.25 kNm

Weights [see pg. 15]

STEEL platform		ALU platform 1000 kg	
1500 mm	425 kg	1600 mm	295 kg
1750 mm	470 kg	1800 mm	306 kg

Weights incl. CE bumper

Light weight transition model between LM.10 and LM.20



Fitting dimensions

ARM		720	800	880	960 (*)
K max.		1190	1295	1400	1460
C max.		605	665	720	750
C min.		300	350	400	450
CO max.		585	630	680	710
M	at C max.	590	650	705	790
M	at C min.	820	885	950	1020

(*) Arm 960 mm on special request.



Technical specifications

Lift frame	100 x 150 mm
Cylinders	2 lift cylinders + 2 tilt cylinders
Type of ride [see pg. 8-9]	Wedged platform. Level ride + automatic tilt at ground level
Platform material	Aluminium or steel
Platform overlap under floor	-65 mm
Standard platform depths	Steel: 1500 - 1750 mm (max. 2000) Alu: 1600 - 1800 mm (max. 2000)
Standard platform widths	Steel: 2350 - 2480 - 2500 - 2520 - 2550 mm Alu: free up to 2550 in steps of 5 mm
Lift arm lengths	780 - 800 - 880 mm
Lift arm widths CA	1150-1300 mm (...-2014) 1200 mm (2015-...)
Standard control unit [see pg. 11]	OAE039.BP
Standard finish of the lift frame	Hot-dip zinc plated finish [OAT104]



→ Cantilever lift for trucks, trailers and semi-trailers

DH-LM.20 • 1500 - 2000 kg



The DH-LM.20 is an **extremely versatile medium capacity lift**, suitable for commercial trucks above 7.5T GVW, trailers and semi-trailers.

This powerful 4-cylinder lift is available with reinforced steel platforms or light-weight aluminium platforms up to 2250 mm. Longer platforms are available in combination with lift type DH-LM.30.

Special applications are available: **half width** tail lifts (DH-LMZ), lifts for truck-trailer combinations with **draw-bar** (DH-LV), adaptations for **trailer-coupling mounted between the chassis** beams (arm LMK), for **very short overhang** (DH-LMP) and for **tipper vehicles** (DH-KA).

Lift capacity

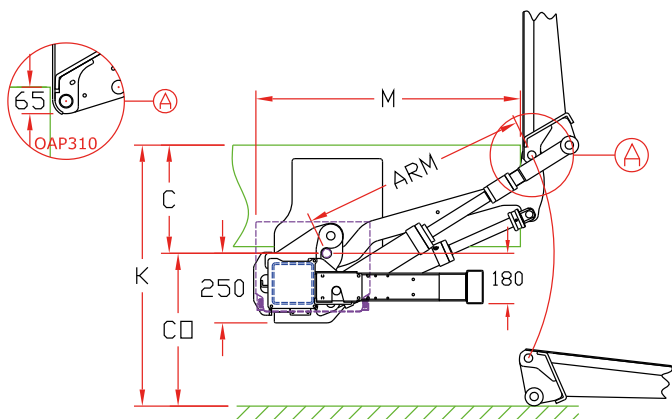
CAP	CG	LM
1500 kg	1000 mm	15 kNm
2000 kg	1000 mm	20 kNm

Weights [see pg. 15]

STEEL platform		ALU platform	
1500 mm	490 kg	1600 mm	400 kg
1750 mm	540 kg	1800 mm	415 kg
2000 mm	585 kg	2000 mm	430 kg

Weights incl. CE bumper

Top seller in the medium capacity range



Fitting dimensions

ARM		760	820	880	940	1000	1100
K max.		1215	1305	1390	1490	1560	1725
C max.		625	675	720	770	815	895
C min.		250	300	350	400	400	450
CO max.		590	630	670	720	745	830
M	at C max.	710	730	770	800	840	900
M	At C min.	960	990	1035	1080	1150	1230

Technical specifications



Lift frame	150 x 150 mm
Cylinders	2 lift cylinders + 2 tilt cylinders
Type of ride [see pg. 8-9]	Wedged platform. Level ride + automatic tilt at ground level
Platform material	Aluminium or steel
Platform overlap under floor	-65 mm
Standard platform depths	Steel: 1500 - 1750 - 2000 mm (max. 2250) Alu: 1600 - 1800 - 2000 mm (max. 2250)
Standard platform widths	Steel: 2350 - 2480 - 2500 - 2520 - 2550 mm Alu: free up to 2550 in steps of 5 mm
Lift arm lengths	760 - 820 - 880 - 940 - 1000 - 1100 mm
Lift arm widths	800 - 1150 - 1300 - 1550 mm (...-2014) 800 - 1200 - 1300 - 1550 mm (2015-...)
Standard control unit [see pg. 11]	OAE030.BT
Standard finish of the lift frame	Hot-dip zinc plated finish [OAT104]



→ Cantilever lift for trucks, trailers and semi-trailers

DH-LCZ / LMZ • 500 - 1500 kg

❶



The cantilever lifts DH-LC.07, DH-LM.10 and DH-LM.15 are available with **half width** or **partial width** platform ❶, or with **foldable platforms** ❷.

These platforms keep one of the rear doors of the vehicle body free, offering quick and unobstructed access to the cargo space at all times.

❶



Lift capacity

CAP	CG	LM
500 kg	600 mm	3 kNm
750 kg	750 mm	5.6 kNm
1000 kg	750 mm	7.5 kNm
1500 kg	750 mm	11.25 kNm

Occasional use, quick access to the vehicle cargo space



Fitting dimensions

The lifts with partial width platforms or foldable platforms are custom made in function of the specific dimensions of the vehicle and body.

Contact the study department of **DHOLLANDIA** for detailed information.



→ Cantilever lift for trucks, trailers and semi-trailers

DH-LM.30 • 1500 - 3000 kg



The cantilever lift DH-LM.30 is a **powerful lift** for intensive, heavy duty tasks and “hostile environment” circumstances. It is ideal for the most demanding applications in the regular transport business, such as **supermarket & food distribution**.

The robust frame with reinforced articulation pins and larger cylinders is primarily designed for lift capacities of 2500 to 3000 kg, but is also available as upgraded 1500-2000 kg version.

The DH-LM.30 can be equipped with very long platforms (3000 mm long and even longer foldable platforms), hence it can easily form the rear closure of the vehicle body. The **DH-LMR** launched in 2014, is a quick-fit system with bolt-on clamps for trailer and semi-trailer chassis.

Lift capacity

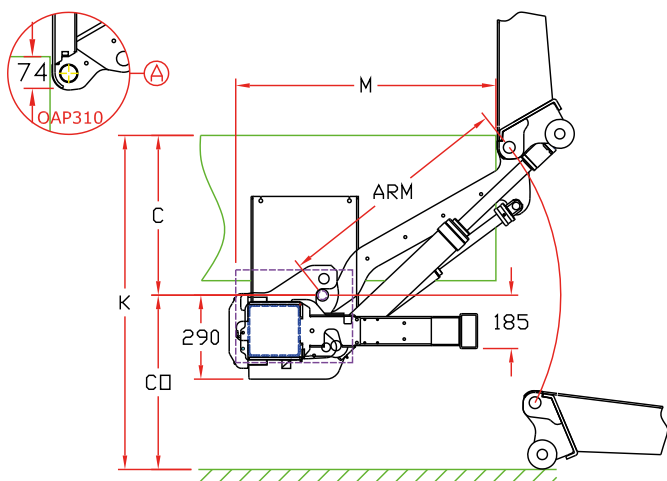
CAP	CG	LM
1500 kg	1000 mm	15 kNm
2000 kg	1000 mm	20 kNm
2500 kg	1000 mm	25 kNm
3000 kg	1000 mm	30 kNm

Weights [see pg. 15]

STEEL platform		ALU platform	
1750 mm	590 kg	1800 mm	480 kg
2000 mm	640 kg	2000 mm	495 kg

Weights incl. CE bumper

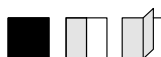
Powerful, robust lift for the intensive distribution



Fitting dimensions

ARM		820	880	940	1000	1100	1200
K max.		1330	1420	1500	1590	1730	1870
C max.		680	730	780	820	900	980
C min.		300	300	350	400	450	500
CO max.		650	690	720	770	830	890
M	at C max.	770	800	835	880	940	1000
M	At C min.	1030	1095	1140	1190	1275	1365

Technical specifications



Lift frame	180 x 180 mm
Cylinders	2 lift cylinders + 2 tilt cylinders
Type of ride [see pg. 8-9]	Wedged platform. Level ride + automatic tilt at ground level
Platform material	Aluminium or steel
Platform overlap under floor	-74 mm
Standard platform depths	Steel: 1750 - 2000 mm (folding: max. 4500) Alu: 1800 - 2000 mm (folding: max. 4500)
Standard platform widths	Steel: 2350 - 2480 - 2500 - 2520 - 2550 mm Alu: free up to 2550 in steps of 5 mm
Lift arm lengths	820 - 880 - 940 - 1000 - 1100 - 1200 mm
Lift arm widths	800 - 1150 - 1300 - 1550 mm (...-2014) 800 - 1200 - 1300 - 1550 mm (2015-...)
Standard control unit [see pg. 11]	OAE030.BT
Standard finish of the lift frame	Hot-dip zinc plated finish [OAT104]



→ Cantilever lift for trucks, trailers and semi-trailers

DH-LSU.40 • 3000 - 4000 kg



The DH-LSU.40 is a powerful lift for **heavy loads positioned at an unfavourable centre of gravity** (further away from the rear end of the vehicle).

It is often used for the **transport of cars**. The option OAU007 includes an overall platform extension to 3000mm; 2 foldable platform aluminium ramps of 1500 mm and hydraulic stabilising legs.

The DH-LSU.40 3000 kg version can be used for cars up to 2000 kg proper weight. For cars between 2000 & 3000 kg, the lift model DH-LSU.60 4000 kg is appropriate.

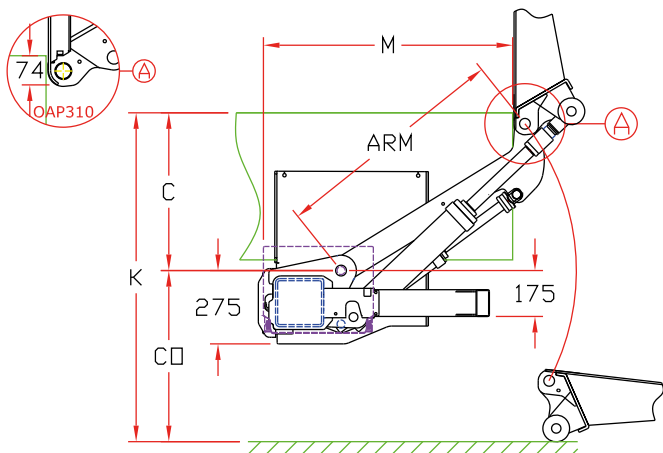
Lift capacity

CAP	CG	LM
3000 kg	1000 mm	30 kNm
3500 kg	1000 mm	35 kNm
4000 kg	1000 mm	40 kNm

Weights [see pg. 15]

STEEL platform	
2000 mm	710 kg
Weights incl. CE bumper	

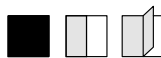
For car transport and other heavy sizeable loads



Fitting dimensions

ARM		820	880	940	1000	1200
K max.		1310	1420	1500	1580	1900
C max.		660	720	760	810	910
C min.		300	300	350	400	450
CO max.		650	700	740	770	990
M	at C max.	790	815	860	890	1080
M	at C min.	1030	1095	1140	1185	1380

Technical specifications



Lift frame	180 x 180 mm
Cylinders	2 lift cylinders + 2 tilt cylinders
Type of ride [see pg. 8-9]	Wedged platform. Level ride + automatic tilt at ground level
Platform material	Steel or aluminium (alu = max. 3000 kg)
Platform overlap under floor	-74 mm
Standard platform depths	2000 mm (max. 4500)
Standard platform widths	Steel: 2350 - 2480 - 2500 - 2520 - 2550 mm Alu: free up to 2550 in steps of 5 mm
Lift arm lengths	820 - 880 - 940 - 1000 - 1200 mm
Lift arm widths	800 - 1150 - 1300 - 1550 mm
Standard control unit [see pg. 11]	OAE030.BT
Standard finish of the lift frame	Protection PLUS [OAT102]



→ Cantilever lift for trucks, trailers and semi-trailers

DH-LSU.60 • 4000 - 6000 kg



The heavy duty lift DH-LSU.60 is designed for **extreme lift capacities from 4,000 to 6,000 kg** and is mainly used for the transport of heavy machinery, forklifts, agricultural tractors etc...

The steel platform can be extended to form the rear closure of the vehicle body and can be modified so that it can be inclined in ramp position (option OAH027).

Hydraulic stabilising legs are standard on the DH-LSU.60. It is important to have the chassis sufficiently reinforced for the mounting of this type of tail lift.

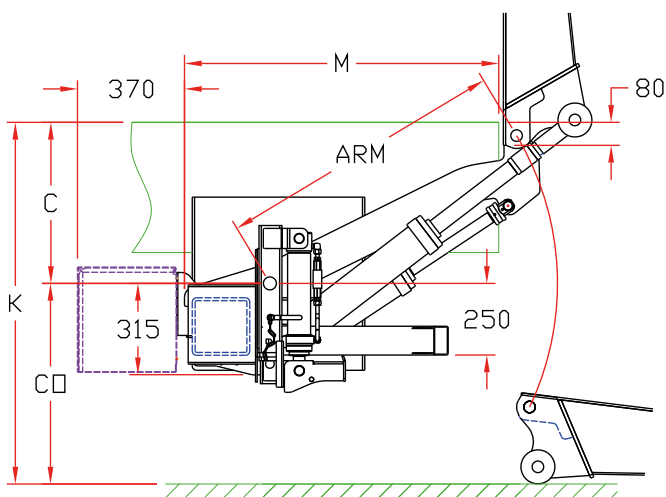
Lift capacity

CAP	CG	LM
4000 kg	1000 mm	40 kNm
5000 kg	1000 mm	50 kNm
6000 kg	1000 mm	60 kNm

Weights [see pg. 15]

STEEL platform	
2000 mm	1130 kg
Weights incl. CE bumper	

Beyond competition: extreme lift capacities to 6T



Fitting dimensions

ARM		1000
K max.		1610
C max.		775
C min.		200
CO max.		835
M	at C max.	920 (+375) (*)
M	at C min.	1225 (+375) (*)

(*) incl. power pack fitted centrally at the front of the lift frame

Technical specifications



Lift frame	200 x 200 mm
Cylinders	2 lift cylinders + 2 tilt cylinders
Type of ride [see pg. 8-9]	Wedged platform. Level ride + automatic tilt at ground level
Platform material	Reinforced steel platform
Platform overlap under floor	-80 mm (straight platform edge OAP311)
Standard platform depths	Steel: 2000 mm (max. 4500)
Standard platform widths	Steel: 2350 - 2480 - 2500 - 2520 - 2550 mm
Lift arm lengths	1000 mm
Lift arm widths	1200 - 1400 - 1600 mm
Standard control unit [see pg. 11]	OAE030.BT
Standard finish of the lift frame	Protection PLUS [OAT102]



→ Cantilever lift for trucks, trailers and semi-trailers

DH-LSU.90 • 7500 - 9000 kg



The heavy duty lift DH-LSU.90 is designed for **extreme lift capacities from 7,500 to 9,000 kg** and is mainly used for the transport of heavy machinery, forklifts, agricultural tractors etc...

The steel platform can be extended to form the rear closure of the vehicle body and can be modified so that it can be inclined in ramp position (option OAH027).

Hydraulic stabilising legs are standard on the DH-LSU.90. It is important to have the chassis sufficiently reinforced for the mounting of this type of tail lift.

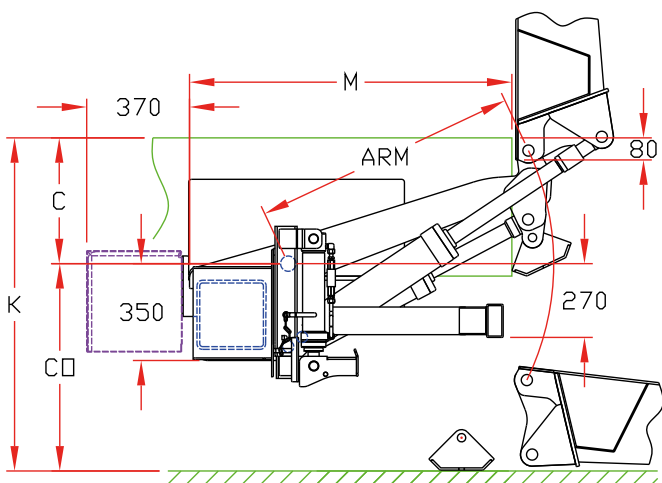
Lift capacity

CAP	CG	LM
7500 kg	1000 mm	75 kNm
9000 kg	1000 mm	90 kNm

Weights [see pg. 15]

STEEL platform	
2000 mm	1500 kg
Weights incl. CE bumper	

The absolute top: extreme lift capacities up to 9T

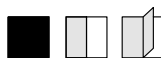


Fitting dimensions

ARM		960
K max.		1460
C max.		625
C min.		200
CO max.		835
M	at C max.	1065 (+370) (*)
M	at C min.	1260 (+370) (*)

(*) incl. power pack fitted centrally at the front of the lift frame

Technical specifications



Lift frame	250 x 250 mm
Cylinders	2 lift cylinders + 2 tilt cylinders
Type of ride [see pg. 8-9]	Wedged platform. Level ride + automatic tilt at ground level
Platform material	Reinforced steel platform
Platform overlap under floor	-80 mm (straight platform edge OAP311)
Standard platform depths	Steel: 2000 mm (max. 4500)
Standard platform widths	Steel: 2350 - 2480 - 2500 - 2520 - 2550 mm
Lift arm lengths	960 mm
Lift arm widths	1200 - 1400 - 1600 mm
Standard control unit [see pg. 11]	OAE030.BT
Standard finish of the lift frame	Protection PLUS [OAT102]



→ Cantilever lift for short overhang

DH-LSP4.10 • 500 - 1000 kg



The DH-LSP4 is equipped with a compact lift frame and **very short lift arms**.

It is ideal for bespoke fitting situations where the standard models DH-LC.07, DH-LM.10 or DH-LMQ.07 / 10 cannot be used. Mostly, this is for commercial vehicles with insufficient overhang behind the mudguard, or behind the spring hangers of the mechanical vehicle suspension.

The 4-cylinder construction guarantees optimal platform stability in longitudinal and lateral direction.

Lift capacity

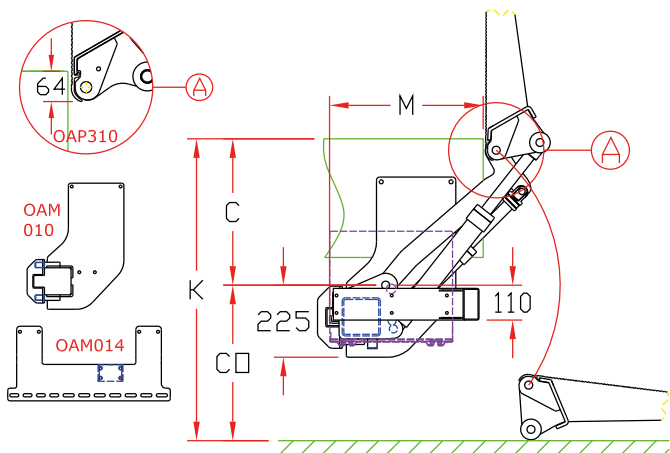
CAP	CG	LM
500 kg	600 mm	3 kNm
750 kg	750 mm	5.6 kNm
1000 kg	750 mm	7.5 kNm

Weights [see pg. 15]

ALU platform	
1250 mm	210 kg
1450 mm	218 kg
1600 mm	224 kg
1800 mm	234 kg

Weights incl. CE bumper

Adapted for very short overhangs



Fitting dimensions

ARM		550
K max.		920
C max.		465
C min.		200
CO max.		455
M	at C max.	480
M	at C min.	660

Technical specifications



Lift frame	120 x 120 mm
Cylinders	2 lift cylinders + 2 tilt cylinders
Type of ride [see pg. 8-9]	Wedged platform. Level ride + automatic tilt at ground level
Platform material	Aluminium
Platform overlap under floor	-64 mm
Standard platform depths	Alu: 1250-1450-1600-1800 mm (max. 2000)
Standard platform widths	Alu: Free up to 2550 in steps of 5 mm
Lift arm lengths	550 mm
Lift arm widths	510 - 1200 - 1450 mm
Standard control unit [see pg. 11]	OAE039.BP
Standard finish of the lift frame	Protection PLUS [OAT102]



→ Cantilever lift for short overhang

DH-LMP.20 • 1500 - 2000 kg



The DH-LMP.20 is equipped with a **compact lift frame**, that requires 100 mm less overhang than the standard model DH-LM.20. It is specially adapted to suit trucks, trailers and semi-trailers with a **very short overhang** behind the rear axle or the spring hangers on the vehicle chassis (e.g. military trucks, city-trailers with rear steering axle,...)

This compact 4-cylinder lift is available with reinforced steel platforms or light-weight aluminium platforms up to 2250 mm.

Lift capacity

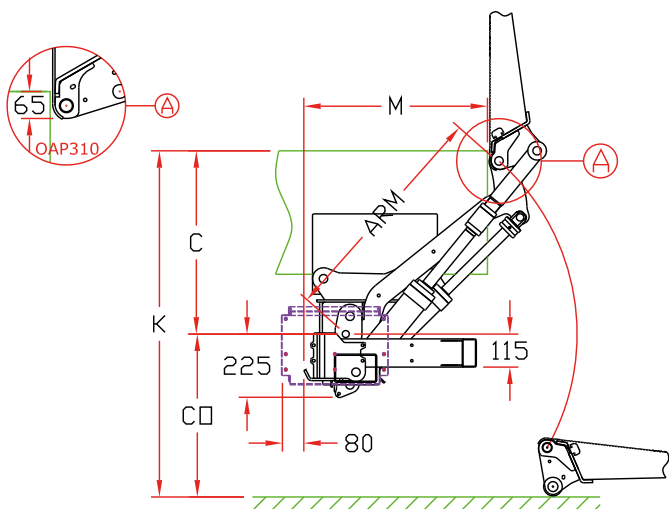
CAP	CG	LM
1500 kg	750 mm	11.25 kNm
2000 kg	750 mm	15 kNm

Weights [see pg. 15]

STEEL platform		ALU platform	
1500 mm	490 kg	1600 mm	400 kg
1750 mm	540 kg	1800 mm	415 kg
2000 mm	585 kg	2000 mm	430 kg

Weights incl. CE bumper

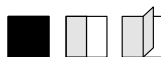
Cantilever lift for short overhangs



Fitting dimensions

ARM		820	880	940	1000	1100
K max.		1305	1390	1490	1560	1725
C max.		675	720	770	815	895
C min.		300	350	400	400	450
CO max.		630	670	720	745	830
M	at C max.	630	670	700	740	800
M	at C min.	890	935	980	1050	1130

Technical specifications



Lift frame	Compact frame for very short overhang
Cylinders	2 lift cylinders + 2 tilt cylinders
Type of ride [see pg. 8-9]	Wedged platform. Level ride + automatic tilt at ground level
Platform material	Aluminium or steel
Platform overlap under floor	-65 mm
Standard platform depths	Steel: 1500 - 1750 - 2000 mm (max. 2100) Alu: 1600 - 1800 - 2000 mm (max. 2100)
Standard platform widths	Steel: 2350 - 2480 - 2500 - 2520 - 2550 mm Alu: free up to 2550 in steps of 5 mm
Lift arm lengths	820 - 880 - 940 - 1000 - 1100 mm
Lift arm widths	1150 - 1300 - 1550 mm
Standard control unit [see pg. 11]	OAE030.BT
Standard finish of the lift frame	Protection PLUS [OAT102]



→ Cantilever lift for trucks with trailer coupling

DH-LV.40 • 1500 - 4000 kg



The **DH-LV** is designed for **trucks with a draw bar coupling** mounted below the vehicle chassis, to function in combination with a **centre-axle trailer**.

It is equipped with an **articulated bumper bar**, that can be lowered to legal bumper height when the truck drives **SOLO** and can be lifted out of way when the trailer is **COUPLED** to the truck. The **DH-LV** allows the operator to load / unload the truck without uncoupling the trailer.

Lift capacity

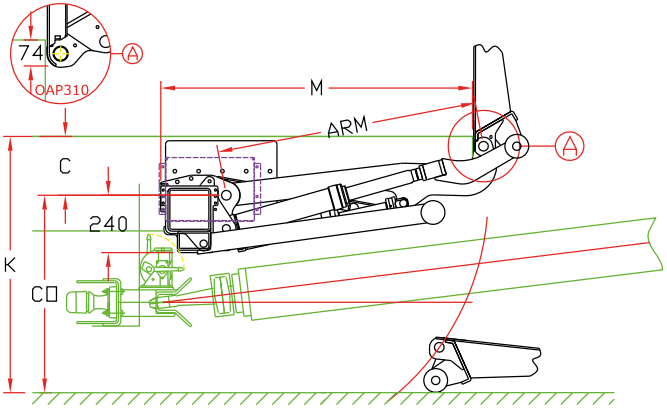
CAP	CG	LM
1500 kg	1000 mm	15 kNm
2000 kg	1000 mm	20 kNm
2500 kg	1000 mm	25 kNm
3000 kg	1000 mm	30 kNm
3500 kg	1000 mm	35 kNm
4000 kg	1000 mm	40 kNm

Weights [see pg. 15]

STEEL platform		ALU platform	
1750 mm	655 kg	1800 mm	535 kg
2000 mm	700 kg	2000 mm	550 kg

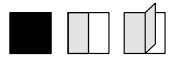
Weights incl. CE bumper

For truck-trailer combinations with draw bar



Fitting dimensions

ARM		1100
K max.		1660
C max.		730
C min.		150
CO max.		930
M	at C max.	1090
M	at C min.	1330



Technical specifications

Lift frame	Custom made frame mounted between chassis & coupling
Cylinders	2 lift cylinders + 2 tilt cylinders
Type of ride [see pg. 8-9]	Wedged platform. Level ride + automatic tilt at ground level
Platform material	Aluminium or steel (alu = max. 3000 kg)
Platform overlap under floor	-74 mm
Standard platform depths	Steel: 1750 - 2000 mm (max. 4500) Alu: 1800 - 2000 mm (max. 4500)
Standard platform widths	Steel: 2350 - 2480 - 2500 - 2520 - 2550 mm Alu: free up to 2550 in steps of 5 mm
Lift arm lengths	1100 mm
Lift arm widths	1300 mm (other on request)
Standard control unit [see pg. 11]	OAE030.BT
Standard finish of the lift frame	Hot-dip zinc plated finish [OAT104]

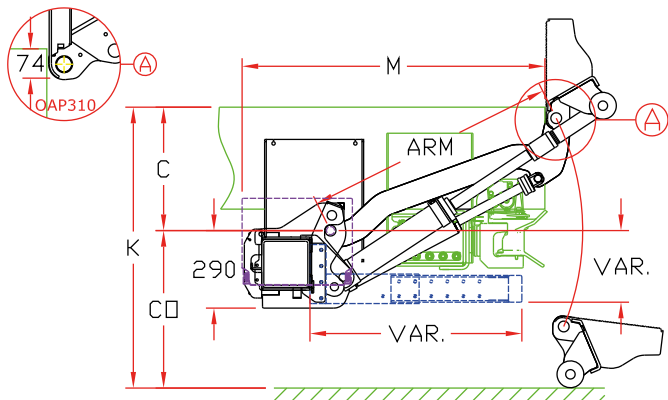


→ Cantilever lift for trucks with trailer coupling

DH-LM.30 + option OAU001



The DH-LM.30 with option OAU001 foresees in a **3-piece bumper bar that is adjustable in height and in length**. Hence it is suitable for trailer couplings mounted under the truck chassis, completely at the rear of the chassis beams. This configuration is most common in Scandinavia / Sweden. OAU001 is equipped with double acting tilt cylinders.

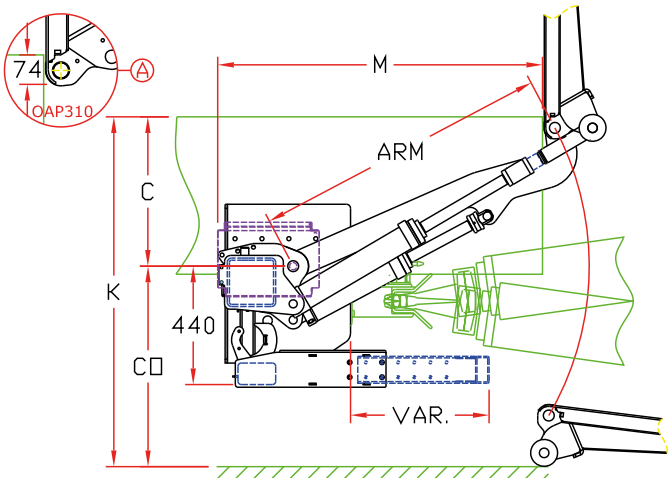


Solutions for other coupling positions

DH-LV + option OAU002



OAU002 is a special execution of the DH-LV.40, specially adapted for trailer couplings mounted under the truck chassis, but approx. 1 m in front of the rear of the vehicle body. This configuration is popular in Finland. The (yellow) mounting plates of the lift wrap around the mounting plates of the trailer coupling.





DH-KA.20 **Option** **OAU003**

750 - 2000 kg
Special adaption for
tipper vehicles



Option **OAP403.1**

Horizontally foldable
platform for reduced
wind resistance
and increased fuel
efficiency



Option **OAP018.1**

Platform in hot-dip
galvanised meshed
steel for reduced
wind resistance
and increased fuel
efficiency



Special constructions on demand



Option OAP406

Vertically folding platform for long objects protruding beyond the rear of the vehicle body



Option OAP504

1500-3000 kg
DH-LMI platform with preparation for insulated panel, for refrigerated bodies



DH-LK.15

1250 - 1500 kg
Flat platform, ideal for roll cages and top-heavy loads (e.g. gas bottles)



4

Slider lifts





→ Slider lift for vans and light trucks

DH-SC.04 • 400 kg



The **CITY SLIDER lift** DH-SC.04 is specially designed for mounting on van chassis and light commercial trucks.

In its travel position, the platform is safely stored underneath the chassis of the vehicle, and the driver has free access to the cargo space inside the vehicle body.

In its work position, the platform offers sufficient work surface to manipulate roll-cages, white and brown goods, parcels, etc...

Thanks to its low weight and high flexibility, the DH-SC.04 is ideal for the **urban distribution**.

To keep this lift light, simple and budget friendly, the retraction of the platform is done by hand.

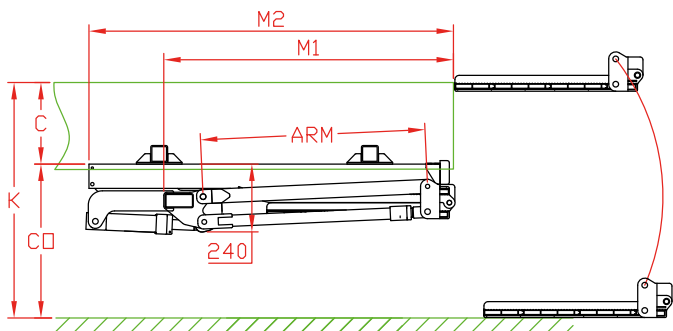
Lift capacity

CAP	CG	LM
400 kg	500 mm	2 kNm

Weights [see pg. 15]

ALU / ALU platform	
1400x860 mm	150 kg

City Slider lift with manual retraction



Fitting dimensions

ARM	800 standard
K max.	1100
C max.	400
CO max.	700
M1	1040
M2	1300



Technical specifications

Lift frame	100 x 50 mm
Cylinders	2 lift cylinders + 2 fixed stabilisers
Retraction IN / OUT	Manual
Type of ride [see pg. 8-9]	Flat platform, level ride
Platform material	Steel frame + aluminium profiles
Standard platform depths	1400 mm Other platform depths on request
Standard platform widths	860 - 1100 mm
Lift arm lengths	800 mm
Lift arm widths	930 mm (platform width 860) 1170 mm (platform width 1100)
Standard control unit	2-button control integrated in the pump unit
Standard finish of the lift frame	Protection PLUS [OAT102]



→ Slider lift for vans and light trucks

DH-SC.05 • 500 kg



The DH-SC.05 is the **heavy-duty** version of the **CITY SLIDER lift** and is usually mounted on van chassis and light commercial trucks.

In its travel position, the platform is safely stored underneath the chassis of the vehicle and the driver has free access to the cargo space inside the vehicle.

In its work position, the platform offers sufficient work surface to manipulate roll-cages, white and brown goods, parcels, etc...

In comparison, the DH-SC.05 is heavier duty than the .04 version (see previous page) and is equipped with **hydraulic instead of manual retraction**.

Lift capacity

CAP	CG	LM
500 kg	500 mm	2.5 kNm

Weights [see pg. 15]

ALU / ALU platform	
1400x860 mm	210 kg
1400x1100 mm	215 kg

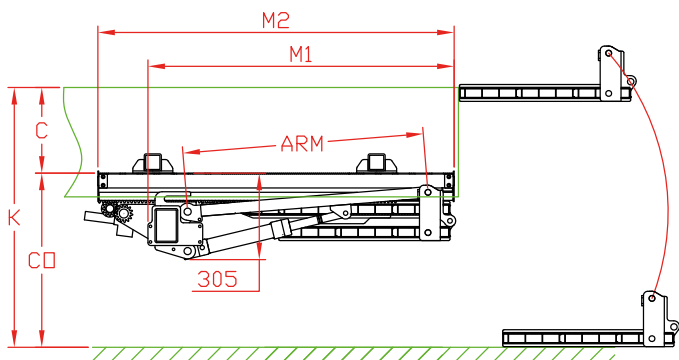
Weights incl. CE bumper (option OAF150)

City Slider lift with hydraulic retraction



Fitting dimensions

ARM	850
K max.	1200
C max.	400
CO max.	800
M1	1080
M2	1260



Technical specifications

Lift frame	120 x 80 mm
Cylinders	2 lift cylinders + 2 fixed stabilisers
Retraction IN / OUT	Hydromotor + gear wheel system
Type of ride [see pg. 8-9]	Flat platform, level ride
Platform material	Steel frame + aluminium profiles
Standard platform depths	1400 mm Other platform depths on request
Standard platform widths	860 - 1100 mm
Lift arm lengths	850 mm
Lift arm widths	1060 mm (platform width 860) 1300 mm (platform width 1100)
Standard control unit [see pg. 11]	OAE030.BT
Standard finish of the lift frame	Protection PLUS [OAT102]



→ Slider lift for light and medium size trucks

DH-SM.15 • 1000 - 1500 kg



The DH-SM.15 is the **lightest of the conventional slider lifts** with single fold platforms. It is equipped with a compact lift frame and short lift arms, in order to **minimize the required overhang**. As a consequence, it forms a modern and lighter weight alternative to the short overhang lift DH-SMP.20 in 1500 kg execution.

In its travel position, the DH-SM.15 is **safely stored underneath the chassis of the vehicle**. It is ideal for operations needing frequent fork lift loading or access to loading docks, and all applications requiring quick and free access to the cargo space.

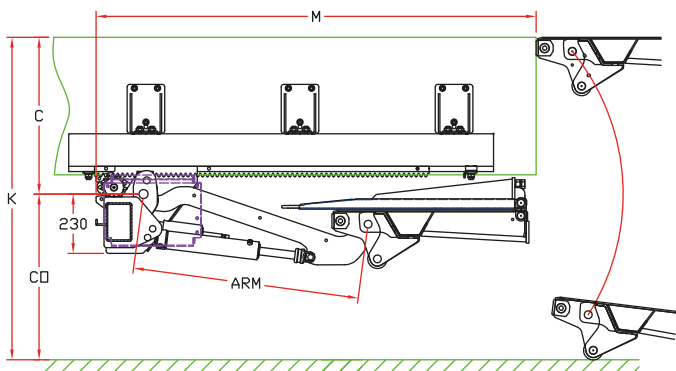
Lift capacity

CAP	CG	LM
1000 kg	750 mm	7.5 kNm
1500 kg	750 mm	11.25 kNm

Weights [see pg. 15]

STEEL / ALU		ALU / ALU	
1500 mm	420 kg	1500 mm	380 kg
1700 mm	430 kg	1700 mm	390 kg
1800 mm	435 kg	1800 mm	395 kg

Light 4-cylinder slider lift with single fold platform



Fitting dimensions

ARM		720	800	880
K max.		1190	1295	1420
C max.		605	665	720
CO max.		585	630	700
M	1500 mm platform	1530	1610	1690
M	1700 mm platform	1630	1710	1790
M	+ option OAP610	-100	-100	-100

Technical specifications

Lift frame	100 x 150 mm
Cylinders	2 lift cylinders + 2 tilt cylinders
Retraction IN / OUT	Hydromotor + gear wheel system
Type of ride [see pg. 8-9]	Wedged platform. Level ride + automatic tilt at ground level
Platform material	Steel / Alu or Alu /Alu
Standard platform depths	1500 - 1700 - 1800 mm
Standard platform widths	2100 - 2300 - 2400 mm Other widths on request (OAP603)
Lift arm lengths	720 - 800 - 880 mm
Lift arm widths	1300 mm
Standard control unit [see pg. 11]	OAE030.BT
Standard finish of the lift frame	Hot-dip zinc plated finish [OAT104]



→ Slider lift for trucks, trailers and semi-trailers

DH-SM(R).20 • 1500 - 2000 kg



The DH-SM(R).20 is the **top seller slider lift in the medium capacity range**. This versatile lift is able to handle various types of cargo, including pallets, up to max. 2000 kg.

In its travel position, the DH-SM.20 is **safely stored underneath the chassis of the vehicle**. It is ideal for operations needing frequent fork lift loading or access to loading docks, and all applications requiring quick and free access to the cargo space.

There are 2 executions: the DH-SM.20 designed for **truck chassis** and the DH-SMR.20 designed for **quick-fitting on trailer and semi-trailer** chassis.

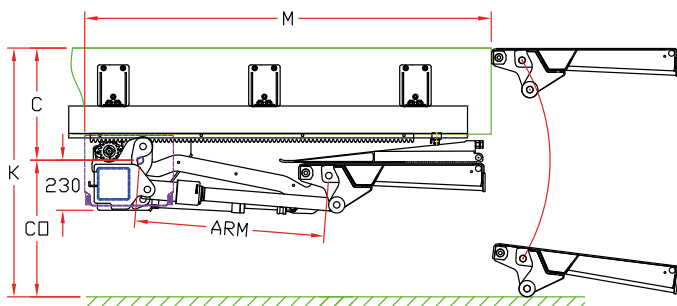
Lift capacity

CAP	CG	LM
1500 kg	750 mm	11.25 kNm
2000 kg	750 mm	15 kNm

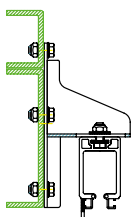
Weights [see pg. 15]

STEEL / ALU		ALU / ALU	
1500 mm	475 kg	1500 mm	445 kg
1700 mm	495 kg	1700 mm	460 kg
1800 mm	505 kg	1800 mm	467 kg

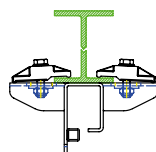
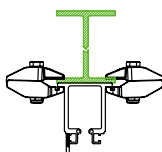
Medium-duty 4-cylinder slider lift single fold platform



Truck / DH-SM.20



Trailer / Semi-trailer / DH-SMR.20
Standard OAM032.A
Optional OAM032.S



Fitting dimensions

ARM		760	820	880	940	1000	1100
K max.		1215	1330	1410	1500	1585	1725
C max.		625	680	715	770	815	895
CO max.		590	650	695	730	770	830
M	1500 mm platform	1640	1700	1760	1820	1880	1980
M	1700 mm platform	1740	1800	1860	1920	1980	2080
M	+ option OAP610	-100	-100	-100	-100	-100	-100

Technical specifications

Lift frame	150 x 150 mm
Cylinders	2 lift cylinders + 2 tilt cylinders
Retraction IN / OUT	Hydromotor + gear wheel system
Type of ride [see pg. 8-9]	Wedged platform. Level ride + automatic tilt at ground level
Platform material	Steel / Alu or Alu / Alu
Standard platform depths	1500 - 1700 - 1800 mm Longer platforms on request (OAP602)
Standard platform widths	2100 - 2300 - 2400 mm Other widths on request (OAP603)
Lift arm lengths	760 - 820 - 880 - 940 - 1000 - 1100 mm
Lift arm widths	800 (SMR only) - 1300 - 1550 mm
Standard control unit [see pg. 11]	OAE030.BT
Standard finish of the lift frame	Hot-dip zinc plated finish [OAT104]



→ Slider lift for trucks, trailers and semi-trailers

DH-SM(R).30 • 2000 - 3000 kg



The DH-SM(R).30 is the **heavy duty slider lift**. Its robust lift mechanism, reinforced platform and hydraulic system are designed for intensive, heavy duty applications and “hostile environment” circumstances. It is ideal for the most demanding applications in the regular transport business, such as **supermarket & food distribution**.

In its travel position, the DH-SM.30 is **safely stored underneath the chassis of the vehicle**. It is ideal for operations needing frequent fork lift loading or access to loading docks, and all applications requiring quick and free access to the cargo space.

DHOLLANDIA's top of the range **4-cylinder** slider lift is available in 2 executions: the DH-SM.30 designed for **truck chassis** and the DH-SMR.30 designed for **quick-fitting on trailer and semi-trailer chassis**.

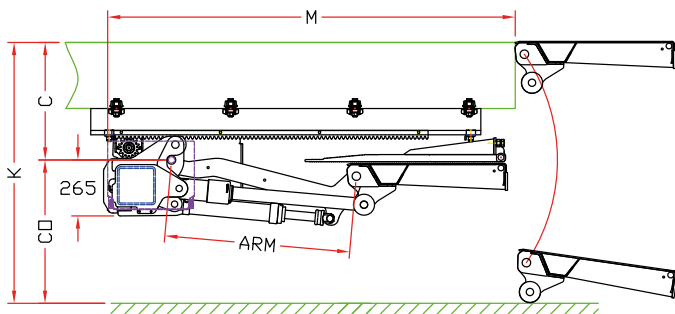
Lift capacity

CAP	CG	LM
2000 kg	1000 mm	20 kNm
2500 kg	1000 mm	25 kNm
3000 kg	1000 mm	30 kNm

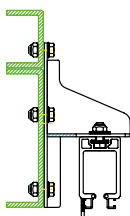
Weights [see pg. 15]

STEEL / ALU		ALU / ALU	
1700 mm	580 kg	1700 mm	530 kg
1800 mm	590 kg	1800 mm	540 kg

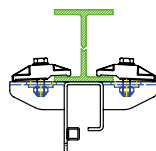
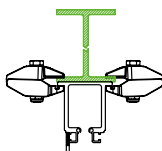
The most powerful slider lift, with single fold platform



Truck / DH-SM.30



Trailer / Semi-trailer / DH-SMR.30
Standard OAM032.A
Optional OAM032.S



Fitting dimensions

ARM		820	880	940	1000	1100	1200
K max.		1330	1420	1500	1590	1730	1870
C max.		680	730	780	820	900	980
CO max.		650	690	720	770	830	890
M	1700 mm platform	1830	1890	1950	2010	2110	2210
M	1800 mm platform	1930	1990	2050	2110	2210	2310
M	+ option OAP610	-100	-100	-100	-100	-100	-100

Technical specifications

Lift frame	180 x 180 mm
Cylinders	2 lift cylinders + 2 tilt cylinders
Retraction IN / OUT	Hydromotor + gear wheel system
Type of ride [see pg. 8-9]	Wedged platform. Level ride + automatic tilt at ground level
Platform material	Steel / Alu or Alu / Alu
Standard platform depths	1700 - 1800 mm Longer platforms on request (OAP602)
Standard platform widths	2300 - 2400 mm Other widths on request (OAP603)
Lift arm lengths	820 - 880 - 940 - 1000 - 1100 - 1200 mm
Lift arm widths	800 - 1300 - 1550 mm
Standard control unit [see pg. 11]	OAE030.BT
Standard finish of the lift frame	Hot-dip zinc plated finish [OAT104]



→ Slider lift for trucks, trailers and semi-trailers

DH-SMP.20 • 1500 - 2000 kg



The new DH-SMP (launched 2014) can replace the standard DH-SM.20 to solve a number of mounting issues:

- It is equipped with a compact lift frame, that requires **130 mm less overhang** than a DH-SM.20 with equivalent platform.
- The new execution is equipped with a hydromotor + gearwheel system instead of a centrally mounted retraction cylinder, but its position is more favourable for a short-overhang situation than on the DH-SM.20. Hence the DH-SMP can be mounted around and **alongside the spring hangers** of vehicles with mechanical suspension, and **use the full overhang to the mudguard**.

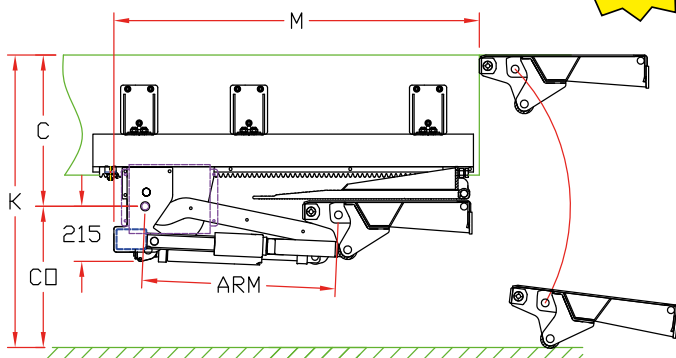
Lift capacity

CAP	CG	LM
1500 kg	750 mm	11.25 kNm
2000 kg	750 mm	15 kNm

Weights [see pg. 15]

STEEL / ALU		ALU / ALU	
1500 mm	460 kg	1500 mm	430 kg
1700 mm	480 kg	1700 mm	445 kg
1800 mm	490 kg	1800 mm	452 kg

Single fold platform with shorter overhang



Fitting dimensions

ARM		760	820	880	940	1000	1100
K max.		1215	1330	1410	1500	1585	1725
C max.		625	680	715	770	815	895
CO max.		590	650	695	730	770	830
M	1500 mm platform	1510	1570	1630	1690	1750	1850
M	1700 mm platform	1610	1670	1730	1790	1850	1950
M	+ option OAP610	-100	-100	-100	-100	-100	-100

Technical specifications

Lift frame	Compact lift frame for short overhang
Cylinders	2 lift cylinders + 2 tilt cylinders
Retraction IN / OUT	Hydromotor + gear wheel system
Type of ride [see pg. 8-9]	Wedged platform. Level ride + automatic tilt at ground level
Platform material	Steel / Alu or Alu / Alu
Standard platform depths	1500 - 1700 - 1800 mm Longer platforms on request (OAP602)
Standard platform widths	2100 - 2300 - 2400 mm Other widths on request (OAP603)
Lift arm lengths	760 - 820 - 880 - 940 - 1000 - 1100 mm
Lift arm widths	1300 - 1550 mm
Standard control unit [see pg. 11]	OAE030.BT
Standard finish of the lift frame	Protection PLUS [OAT102]



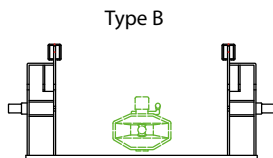
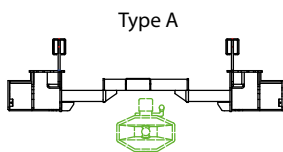
→ Slider lift for trucks with trailer coupling

DH-SV.20 • 1500 - 2000 kg



The **DH-SV** is designed for **trucks with a central-axle draw bar trailer**. In order to optimize the mounting situation, the DH-SV is **custom made** in function of the specific dimensions of the chassis, the trailer coupling and the draw bar.

Depending on the vehicle dimensions, the DH-SV can be deployed and used without uncoupling the trailer (when type A lift frame can be used, which is in most cases).



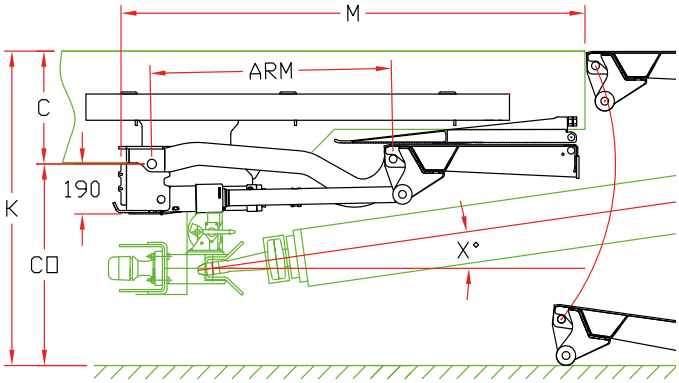
Lift capacity

CAP	CG	LM
1500 kg	750 mm	11.25 kNm
2000 kg	750 mm	15 kNm

Weights [see pg. 15]

STEEL / ALU		ALU / ALU	
1500 mm	580 kg	1500 mm	550 kg
1700 mm	600 kg	1700 mm	565 kg

Designed for trucks with a draw-bar trailer



Fitting dimensions

ARM		820	880	940	1000
K max.		1360	1460	1560	1660
C max.		650	700	750	800
CO max.		710	760	810	860
M (1) (2)	1500 mm platform	1600	1660	1720	1780
M (1) (2)	1700 mm platform	1700	1760	1820	1880
M (1) (2)	+ option OAP610	-100	-100	-100	-100

(1) In order to create sufficient clearance to the draw bar, the lift might need to be fitted further forward. Consult **DHOLLANDIA** for a detailed study.

(2) Overhang measured to the end of the lift frame. Retraction cylinder between chassis rails not taken into account

Technical specifications

Lift frame	Custom made around the coupling
Cylinders	2 lift cylinders + 2 tilt cylinders
Retraction IN / OUT	Centrally mounted retraction cylinder
Type of ride [see pg. 8-9]	Wedged platform. Level ride + automatic tilt at ground level
Platform material	Steel / Alu or Alu / Alu
Standard platform depths	1500 - 1700 - 1800 mm Longer platforms on request (OAP602)
Standard platform widths	2300 - 2400 mm Other widths on request (OAP603)
Lift arm lengths	820 - 880 - 940 - 1000 mm
Lift arm widths	1300 - 1450 - 1550 mm
Standard control unit [see pg. 11]	OAE030.BT
Standard finish of the lift frame	Protection PLUS [OAT102]



→ Slider lift for light trucks, trailers and semi-trailers

DH-SO.10 • 750 - 1000 kg



The DH-SO.10 is the lightest and most compact solution of the slider lift range.

- The 2 platform parts are made of light-weight aluminium, to **maximise the pay-load of the vehicle**, and make the manual (un) folding of the platform as easy as possible for the operator.
- The compact lift frame and double folded platform enable installation of this lift on vehicles with **very short overhang**.

The DH-SO.10 offers 750-1000 kg lift capacity, and is extremely suitable for light-duty trucks from 3,5 to 12T GVW, light trailers and semi-trailers. Special mounting kits are available for installation on van chassis.

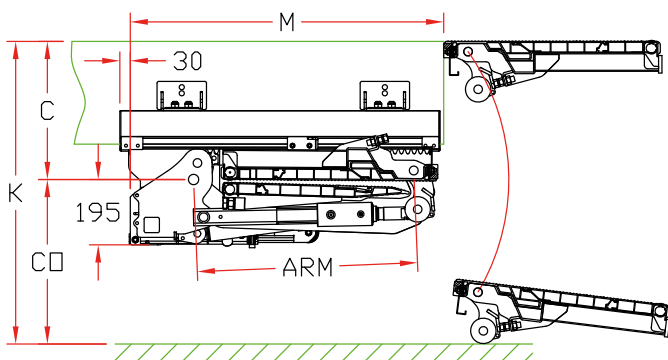
Lift capacity

CAP	CG	LM
750 kg	600 mm	4.5 kNm
1000 kg	600 mm	6 kNm

Weights [see pg. 15]

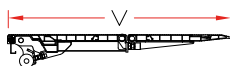
ALU / ALU platform	
1250x2200 mm	265 kg
1450x2200 mm	272 kg
1600x2200 mm	280 kg

Lightest slider lift with double folded platform



Fitting dimensions

ARM	650	750	850
K max.	1035	1180	1315
C max.	490	570	645
CO max.	545	610	670
M	910	1010	1110
V max.	1200	1400	1600



Technical specifications

Lift frame	Compact lift frame 120 x 120 mm
Cylinders	2 lift cylinders + 2 fixed stabilisers [2 tilt cylinders as an option (S507)]
Retraction IN / OUT	Hydromotor + gear wheel system
Type of ride [see pg. 8-9]	Wedged platform. Level ride + automatic tilt at ground level
Platform material	Alu / Alu
Standard platform depths	1200 - 1400 - 1600 mm
Standard platform widths	2200 mm Other widths on request (OAP603)
Lift arm lengths	650 - 750 - 850 mm
Lift arm widths	420 - 1300 - 1420 mm
Standard control unit [see pg. 11]	OAE030.BT
Standard finish of the lift frame	Hot-dip zinc plated finish [OAT104]



→ Slider lift for trucks, trailers and semi-trailers

DH-SO7.20 • 1500 - 2000 kg



In comparison to the standard slider lifts DH-SM(R), the various DH-SO... lifts are equipped with a **double folded platform**: their platform is folded twice and rests on the lift arms when stowed away in travel position. Hence these DH-SO... lifts are specially designed for installation on **commercial vehicles with a too short overhang** to mount standard slider lifts with single folded platform (e.g. semi-trailers with rear steering axle, and centre-axle trailers).

The 2 platform parts are made of light-weight aluminium, to make the unfolding of the platform into work position (and the folding of the platform into travel position) as easy as possible.

The DH-SO.07 offers 1500-2000 kg lift capacity, and serves the top segment of the slider lifts with double folding platforms. It is suitable for trucks from 7 to 25T GVW, for trailers and semi-trailers.

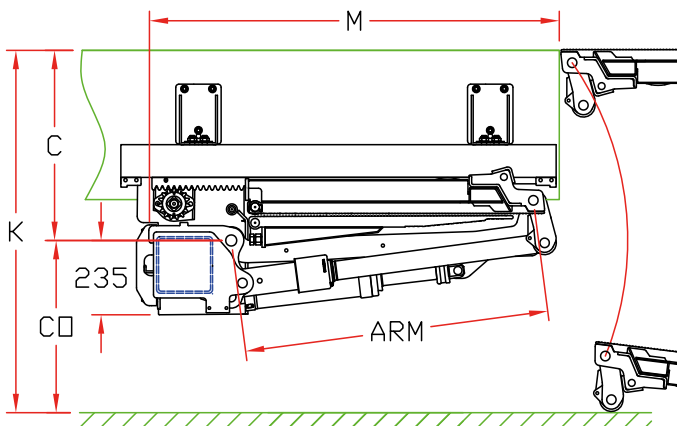
Lift capacity

CAP	CG	LM
1500 kg	750 mm	11.25 kNm
2000 kg	750 mm	15 kNm

Weights [see pg. 15]

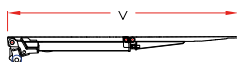
ALU / ALU	
1400 mm	485 kg
1600 mm	505 kg
1800 mm	530 kg

Double folded platform for vehicles with short overhang



Fitting dimensions

ARM	780	880	980	1080
K max.	1290	1440	1560	1760
C max.	640	710	780	880
CO max.	650	730	780	880
M	1125	1225	1325	1425
V max.	1400	1600	1800	1800
V min.	1400	1400	1600	1800



Technical specifications

Lift frame	180 x 180 mm
Cylinders	2 lift cylinders + 2 tilt cylinders
Retraction IN / OUT	Hydromotor + gear wheel system
Type of ride [see pg. 8-9]	Wedged platform. Level ride + automatic tilt at ground level
Platform material	Alu / Alu
Standard platform depths	1400 - 1600 - 1800 mm
Standard platform widths	2300 - 2400 mm Other widths on request (OAP603)
Lift arm lengths	780 - 880 - 980 - 1080 mm
Lift arm widths	800 - 1450 - 1550 mm
Standard control unit [see pg. 11]	OAE030.BT
Standard finish of the lift frame	Hot-dip zinc plated finish [OAT104]



→ Slider lift for trucks, trailers and semi-trailers with demountable containers

DH-SO8.20 • 1500 - 2000 kg



Like the other DH-SO... lifts, the DH-SO8 is equipped with a **double folded platform**, to enable its installation in a **very short overhang**. Unlike the other types however, the platform of the DH-SO8 consists of 3 sections: a sturdy fixed steel section, which also forms the bumper; and 2 light-weight aluminium folding sections.

The DH-SO8 is specially designed for commercial vehicles with **BDF / AWL swap bodies**. The front edge of the platform can be equipped with an articulated bridge plate, allowing for flexible adjustment of the platform edge to varying body types and dimensions.

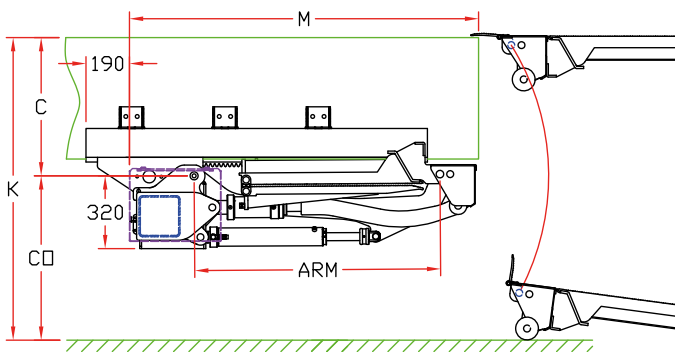
Lift capacity

CAP	CG	LM
1500 kg	750 mm	11.25 kNm
2000 kg	750 mm	15 kNm

Weights [see pg. 15]

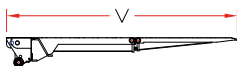
STEEL / ALU / ALU	
1600 mm	580 kg
1800 mm	600 kg

Double folded platform, for swap bodies & containers



Fitting dimensions

ARM	980	1080
K max.	1585	1685
C max.	780	880
CO max.	805	805
M	1420	1520
V max.	1800	1800



Technical specifications

Lift frame	180 x 180 mm
Cylinders	2 lift cylinders + 2 tilt cylinders
Retraction IN / OUT	Hydromotor + gear wheel system
Type of ride [see pg. 8-9]	Wedged platform. Level ride + automatic tilt at ground level
Platform material	Steel / Alu / Alu
Standard platform depths	1600 - 1800 mm
Standard platform widths	2300 mm Other widths on request (OAP603)
Lift arm lengths	980 - 1080 mm
Lift arm widths	1300 mm
Standard control unit [see pg. 11]	OAE030.BT
Standard finish of the lift frame	Hot-dip zinc plated finish [OAT104]



→ Slider lift for trucks & semi-trailers

DH-SK(S).20 • 1500 - 2000 kg



The DH-SK(S).20 combines the advantages of a column lift with those of a slider lift. From the first, it inherited the **flat, level-ride platform**, which is ideal to load and unload **roll-cages**, and cargo that could be unstable on the platform. (Conventional slider lift are equipped with a wedge platform, so that wheeled loads have a tendency to roll-off; and tall top-heavy loads risk to tip-over).

The sliding mechanism of the latter safely stores the platform away underneath the chassis of the vehicle, **eliminating almost completely the risk of impact damage** when reversing into the loading docks (which is a genuine concern in the case of column lifts).

Most DH-SK are supplied with rear and side loading ramps, which can be raised in vertical position to serve as load restraints; or flipped over 180° to serve as access ramp.

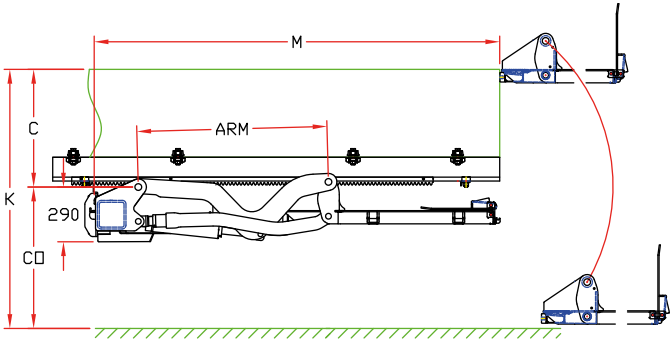
Lift capacity

CAP	CG	LM
1500 kg	750 mm	11.25 kNm
2000 kg	750 mm	15 kNm

Weights [see pg. 15]

Steel platform	
1300 mm	670 kg
1500 mm	670 kg
1700 mm	685 kg

Ideal for roll cages: flat “column lift” style platform



Fitting dimensions

ARM		900	1000
K max.		1350	1525
C max.		560	640
CO max.		790	885
M - SK(S).20.03	1300 mm platform	2250	2350
M - SK(S).20.04	1300 mm platform	-125 (1)	-125 (1)

(1) 125 mm shorter overhang possible with frame type SKS.20.4 instead of SKS.20.3.

Technical specifications

Lift frame	<ul style="list-style-type: none"> • Standard SK(S).20.03: tube 180 x 180 mm • Compact SK(S).20.04: special frame
Cylinders	<ul style="list-style-type: none"> • SK...: 2 lift cylinders + 2 tilt cylinders • SKS...: 2 lift cylinders + 2 fixed stabilisers
Retraction IN / OUT	Hydromotor + gear wheel system
Type of ride [see pg. 8-9]	Flat platform, level ride
Standard platform depths	<ul style="list-style-type: none"> • 1300 mm in 1 piece • 1500 - 1700 mm as foldable platform
Platform width PB / arm width CA	SK(S).20.03: PB=2350 CA=2250 • PB=2450 CA=2350 • PB=2550 CA=2450 SKS.20.04: PB=2350 CA=2250 • PB=2450 CA=2350
Lift arm lengths	900 - 1000 mm
Standard control unit [see pg. 11]	OAE030.BT
Standard finish of the lift frame	Hot-dip zinc plated finish [OAT104]



→ Slider lift for trucks & semi-trailers

DH-SKS2.20 • 1500 - 2000 kg



The DH-SKS2.20 is a special execution of the flat platform level-ride slider lift, with the following benefits:

- reduced proper weight of the lift, **increased pay-load for the vehicle**
- **reduced overhang** / fitting space

The DH-SKS2.20 is available with a hot-dip zinc plated steel platform, or with a light-weight aluminium platform.

The rear and side loading ramps on the platform can be raised in vertical position to serve as load restraints; or flipped over 180° to serve as access ramp.

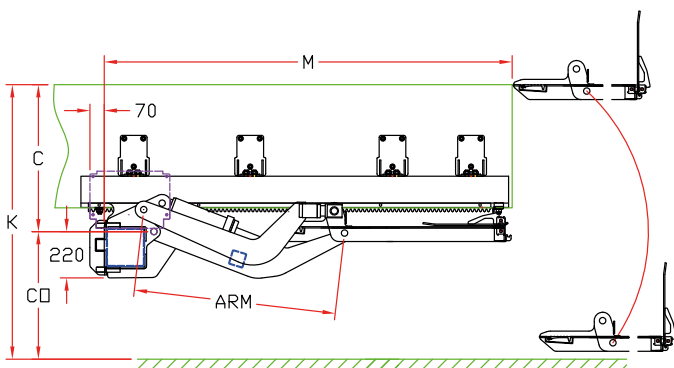
Lift capacity

CAP	CG	LM
1500 kg	750 mm	11.25 kNm
2000 kg	750 mm	15 kNm

Weights [see pg. 15]

Steel platform	
1300 mm	630 kg

Lighter weight flat platform slider lift



Fitting dimensions

ARM		900
K max.		1410
C max.		725
CO max.		685
M - SKS2.20.01	1300 mm platform	2100

Technical specifications

Lift frame	SKS2.20.01: 180 x 180 mm
Cylinders	2 lift cylinders + 2 fixed stabilisers
Retraction IN / OUT	Hydromotor + gear wheel system
Type of ride [see pg. 8-9]	Flat platform, level ride
Standard platform depths	1300 mm in 1 piece
Platform width PB / arm width CA	PB=2450 CA=2280
Lift arm lengths	900 mm
Standard control unit [see pg. 11]	OAE030.BT
Standard finish of the lift frame	Protection PLUS [OAT102]



5

Fold-away lifts





→ Fold-away lift for light commercial vehicles

DH-RP.06 • 600 kg



The **DH-RP.06 600 kg** is the lightest lift of a new generation of efficiently designed, **light weight**, yet very strong fold-away tail lifts. These DH-RP lifts are equipped with a full aluminium platform, and feature a **half-dip platform ride** from the vehicle floor to the ground.

In its travel position, the DH-RP.06 is safely stored underneath the chassis of the vehicle. It is ideal for operations needing frequent fork lift (un)loading or access to loading docks, and offers free access to the cargo space at all times. It is **very easy to use**, and has **minimal impact on the vehicle pay-load**; hence it is ideal for the occasional use and for rental fleets.

The DH-RP.06 is designed for utility and commercial vehicles up to 7.5T GVW.

Lift capacity

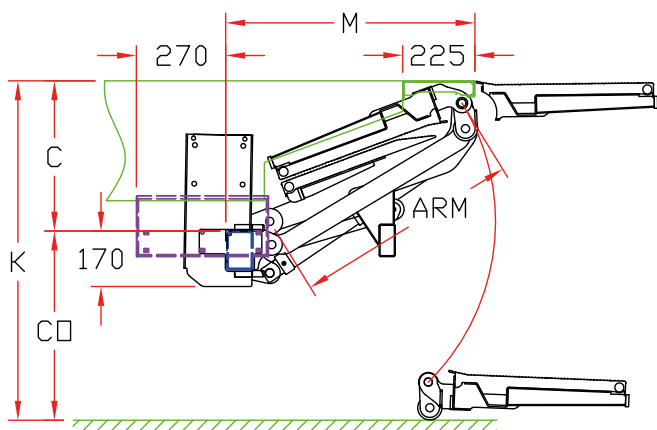
CAP	CG	LM
600 kg	600 mm	3.6 kNm

Weights [see pg. 15]

ALU / ALU platform	
950x1500 mm	150 kg
1050x1500 mm	165 kg

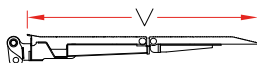
Weights incl. CE bumper

The lightest and most compact of fold-away lifts



Fitting dimensions

ARM		700
K max.		1050
K min. loaded	V = 950 / 1050	770 / 820
C max.		465
C min.	V = 950 / 1050	300 / 350
CO max.		585
M	at C max.	765
M	at C min. for V = 950 / 1050	860 / 840
V max.		1050



Technical specifications

Lift frame	120 x 80 mm
Cylinders	1 lift cylinder + 2 fixed stabilisers
Type of ride [see pg. 8-9]	Half dip ride, progressive inclination while lifting / lowering
Platform material	Alu / Alu
Standard platform depths	950 - 1050 mm
Standard platform widths	1500 - 2000 mm Other widths on request (option OAP303)
Lift arm lengths	700 mm
Lift arm widths	565 mm
Mounting	<ul style="list-style-type: none"> • Flat floor extension plate (OAM004) • Cranked floor extension plate (OAM005)
Standard control unit [see pg. 11]	OAE030.BT
Standard finish of the lift frame	Hot-dip zinc plated finish [OAT104]



→ Fold-away lift for light commercial vehicles

DH-RP.10 • 1000 kg



The **DH-RP.10 1000 kg** is the strongest of 2 lifts forming a new generation of light weight yet robust fold-away lifts with **half-dip platform ride** from the vehicle floor to the ground.

In its travel position, the DH-RP.10 is safely stored underneath the chassis of the vehicle. It is ideal for operations needing frequent fork lift (un)loading or access to loading docks, and offers free access to the cargo space at all times. It is **very easy to use**, and has **minimal impact on the vehicle pay-load**; hence it is ideal for the occasional use and for rental fleets.

The DH-RP.10 is designed for commercial vehicles up to 12T GVW. In standard configuration, its operation is gravity-down. **Power-down** (double acting descend) is available as an option for the harshest winter conditions (option OAH025.1).

Lift capacity

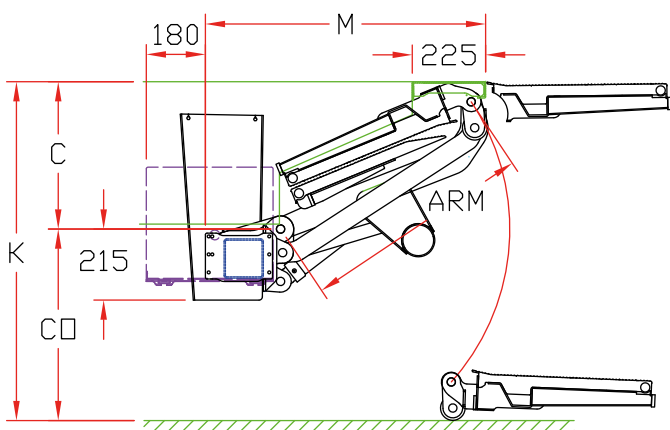
CAP	CG	LM
1000 kg	600 mm	6 kNm

Weights [see pg. 15]

ALU / ALU platform	
1050 mm	225 kg
1250 mm	235 kg

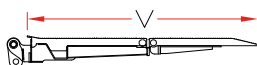
Weights incl. CE bumper

Light fold-away lift with half-dip platform ride



Fitting dimensions

ARM		700	800
K max.		1050	1170
K min. loaded		820	915
C max.		465	520
C min.		350	400
CO max.		585	650
M	at C max.	845	925
M	at C min.	920	1005
V max.		1050	1250



Technical specifications

Lift frame	120 x 120 mm
Cylinders	1 lift cylinder + 2 fixed stabilisers
Type of ride [see pg. 8-9]	Half dip ride, progressive inclination while lifting / lowering
Platform material	Alu / Alu
Standard platform depths	1050 - 1250 mm
Standard platform widths	1500 - 2000 mm Other widths on request (option OAP303)
Lift arm lengths	700 - 800 mm
Lift arm widths	565 mm
Mounting	<ul style="list-style-type: none"> • Flat floor extension plate (OAM004) • Cranked floor extension plate (OAM005)
Standard control unit [see pg. 11]	OAE030.BT
Standard finish of the lift frame	Hot-dip zinc plated finish [OAT104]



→ Fold-away lift for light commercial vehicles

DH-RC(C).10 • 750 - 1000 kg



The DH.RC.10 is DHOLLANDIA's best seller in the light duty fold-away lift range. In comparison to the DH-RP, this lift is equipped with a wedged platform, offering a **level ride from the vehicle floor to the ground** (and vice versa), including **automatic tilt at ground level**.

In its travel position, the DH-RC.10 is safely stored underneath the chassis of the vehicle. It is ideal for operations needing frequent fork lift (un)loading or access to loading docks, and offers free access to the cargo space at all times. It is **very easy to use**, and has **minimal impact on the vehicle pay-load**; hence it is ideal for the occasional use and for rental fleets.

There are 2 executions: the DH-RC.10 with fixed stabilisers and the DH-RCC.10 with tilt cylinders and **adjustable platform orientation**.

Lift capacity

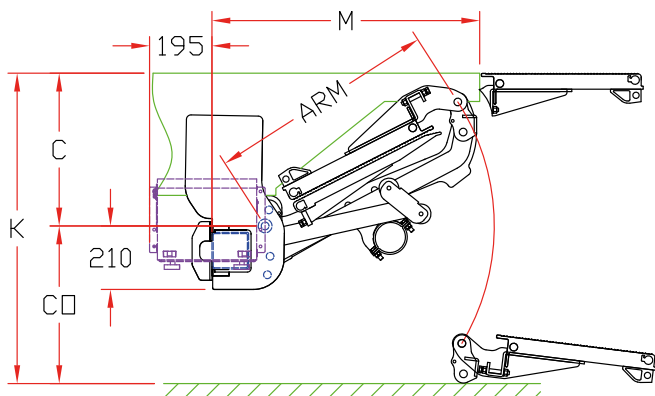
CAP	CG	LM
750 kg	600 mm	4.5 kNm
1000 kg	600 mm	6 kNm

Weights [see pg. 15]

ALU / ALU platform	
1080 mm	275 kg
1280mm	285 kg

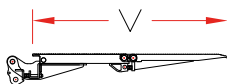
Weights incl. CE bumper

Light fold-away lift with level-ride platform



Fitting dimensions

ARM		750	850
K max.		1180	1310
K min. loaded		900	1000
C max.		580	660
C min.		350	400
CO max.		600	650
M	at C max.	810	895
M	at C min.	980	1070
V max.		1080	1280



Technical specifications

Lift frame	120 x 120 mm
Cylinders	1 lift cylinder + 2 tilt cylinders (DH-RCC) or 2 fixed stabilisers (DH-RC)
Type of ride [see pg. 8-9]	Wedged platform, level ride with automatic tilt at ground level
Platform material	Alu / Alu
Standard platform depths	1080 - 1280 mm
Standard platform widths	2000 - 2200 mm Other widths on request (option OAP303)
Lift arm lengths	750 - 850 mm
Lift arm widths	600 mm
Mounting	<ul style="list-style-type: none"> • With floor plate (option OAM003) • Adapted for refrigerated floor (option S409)
Standard control unit [see pg. 11]	OAE030.BT
Standard finish of the lift frame	Protection PLUS [OAT102]



→ Fold-away lift for trucks, trailers & semi-trailers

DH-RC.15 • 1000 - 1500 kg



The DH-RC.15 is the ideal fold-away lift for **medium-duty** commercial vehicles. It is equipped with a wedged platform, offering a **level ride from the vehicle floor to the ground** (and vice versa), including **automatic tilt at ground level**.

In its travel position, the DH-RC.15 is safely stored underneath the chassis of the vehicle. It is ideal for operations needing frequent fork lift loading or access to loading docks, and all applications requiring quick and free access to the cargo space. The relatively short platforms of fold-away lifts are more recommended for roll cages, white and brown goods, parcels, etc... than for pallet work.

The DH-RC.15 is only available with fixed stabilisers, not with tilt cylinders. In standard configuration, its operation is gravity-down. **Power-down** (double acting descend) is available as an option for the harshest winter conditions (option OAH025.1).

Lift capacity

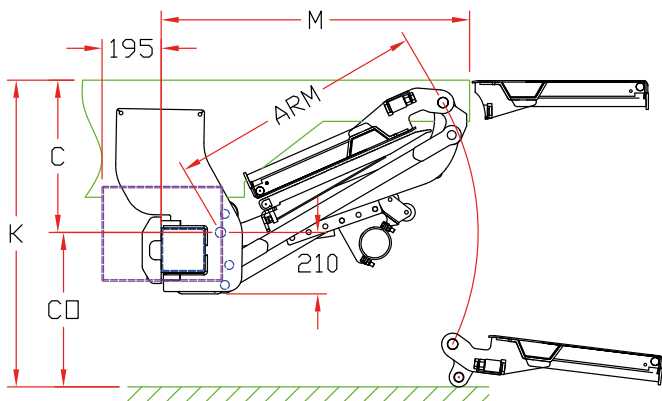
CAP	CG	LM
1000 kg	600 mm	6 kNm
1500 kg	600 mm	9 kNm

Weights [see pg. 15]

ALU / ALU		STEEL / ALU	
1250mm	358 kg	1250mm	395 kg
1450 mm	368 kg	1450 mm	415 kg

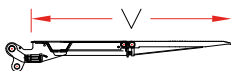
Weights incl. CE bumper

Medium capacity fold-away lift



Fitting dimensions

ARM		880	980
K max.		1385	1510
K min. loaded		1010	1105
C max.		745	860
C min.		450	450
CO max.		640	650
M	at C max.	870	905
M	at C min.	1120	1230
V max.		1250	1450



Technical specifications

Lift frame	150 x 150 mm
Cylinders	1 lift cylinder + 2 fixed stabilisers
Type of ride [see pg. 8-9]	Wedged platform, level ride with automatic tilt at ground level
Platform material	Steel / Alu • Alu / Alu
Standard platform depths	(1150) - 1250 - 1450 mm
Standard platform widths	2000 - 2200 mm Other widths on request (option OAP603)
Lift arm lengths	880 - 980 mm
Lift arm widths	500 mm
Mounting	<ul style="list-style-type: none"> • With floor plate (option OAM003) • Adapted for refrigerated floor (option S409)
Standard control unit [see pg. 11]	OAE030.BT
Standard finish of the lift frame	Protection PLUS [OAT102]



→ Fold-away lift for trucks, trailers & semi-trailers

DH-RM(C).20 • 1000 - 2000 kg



The DH-RM.20 is equipped with a robust lift frame, a wide arm center and 2 lift cylinders. Hence it serves the **heavy-duty end of the fold-away lift market**. It is equipped with a wedged platform, offering a level ride from the vehicle floor to the ground (and vice versa), including **automatic tilt at ground level**.

In its travel position, the DH-RM.20 is safely stored underneath the chassis of the vehicle. It is ideal for operations needing frequent fork lift loading or access to loading docks, and all applications requiring quick and free access to the cargo space. The relatively short platforms of fold-away lifts are more recommended for roll cages, white and brown goods, parcels, etc... than for pallet work.

There are 2 executions: the DH-RM.20 with fixed stabilisers, and the DH-RMC.20 with tilt cylinders and **adjustable platform orientation**.

The special model DH-RMV.20 is specially designed for trucks with a **draw-bar coupling** (for central-axle trailers).

Lift capacity

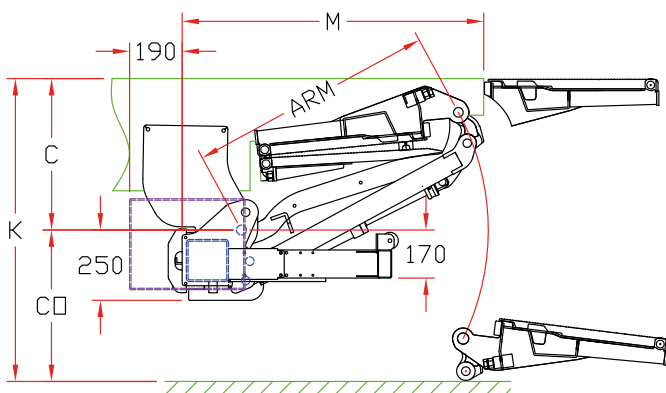
CAP	CG	LM
1000 kg	600 mm	6 kNm
1500 kg	600 mm	9 kNm
2000 kg	600 mm	12 kNm

Weights [see pg. 15]

ALU / ALU		STEEL / ALU	
1150 mm	410 kg	1150 mm	433 kg
1250mm	415 kg	1250mm	440 kg
1450 mm	425 kg	1450 mm	455 kg

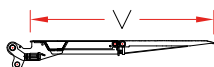
Weights incl. CE bumper

Heavy duty fold-away lift with 2 lift cylinders



Fitting dimensions

ARM		880	1000	1050 (*)
K max.		1390	1560	1660
K min. loaded		1000	1110	1210
C max.		720	815	910
C min.		500	500	400
CO max.		670	745	750
M	at C max.	940	1050	970
M	at C min.	1125	1260	1300
V max		1250	1450	1600 (*)



(*) For 2000 kg - 1600 mm, it is strongly recommended to use the model DH-RM.25

Technical specifications

Lift frame	150 x 150 mm
Cylinders	2 lift cylinders + 2 tilt cylinders (DH-RMC) or 2 fixed stabilisers (DH-RM)
Type of ride [see pg. 8-9]	Wedged platform, level ride with automatic tilt at ground level
Platform material	Steel / Alu • Alu / Alu
Standard platform depths	1150 - 1250 - 1450 - 1600 mm 1600 mm on special request (*)
Standard platform widths	2000 - 2200 mm 2350 mm on request (option OAP603)
Lift arm lengths	880 - 1000 - 1050 (*) mm
Lift arm widths	1150 - 1400 mm
Mounting	<ul style="list-style-type: none"> • With floor plate (option OAM003) • Adapted for refrigerated floor (option S409)
Standard control unit [see pg. 11]	OAE030.BT
Standard finish of the lift frame	Protection PLUS [OAT102]



→ Fold-away lift for trucks with trailer coupling

DH-RMV(C).20 • 1000 - 2000 kg



The fold-away lift DH-RMV.20 is derived from the DH-RM.20, and is specially adapted to suit **trucks with a draw-bar coupling** (for central-axle trailers).

- The lift frame is custom made in function of the chassis and coupling dimensions (option OAU008).
- The lift is equipped with an **articulated bumper bar** (option OAF132), that can be lowered to legal bumper height when the truck drives SOLO, and can be lifted out of the way when the trailer is COUPLED to the truck.

There are 2 executions: the DH-RM.20 with fixed stabilisers, and the DH-RMC.20 with tilt cylinders and **adjustable platform orientation**.

Lift capacity

CAP	CG	LM
1000 kg	600 mm	6 kNm
1500 kg	600 mm	9 kNm
2000 kg	600 mm	12 kNm

Weights [see pg. 15]

ALU / ALU		STEEL / ALU	
1150 mm	430 kg	1150 mm	440 kg
1250mm	435 kg	1250mm	450 kg
1450 mm	445 kg	1450 mm	465 kg

Weights incl. CE bumper

For truck-trailer combinations with draw bar



Fitting dimensions

See fitting dimensions type DH-RM.20 on page 137

Technical specifications

See technical specifications type DH-RM.20 on page 137



→ Fold-away lift for trucks, trailers & semi-trailers

DH-RM.25 • 1500-2500 kg



The **DH-RM.25** is DHOLLANDIA's most powerful fold-away tail lift. The long 1600 mm full-aluminium platform offers 1500-2500 kg lift capacity, and is specially adapted to offer **maximum reliability in the harshest winter conditions**, incl. **POWER DOWN** operation.

The DH-RM.25 is mounted with a reinforced vehicle bed extension plate, further equipped with **2 sturdy dock-bumpers** with adjustable ladders. In its travel position, the tail lift is safely stored underneath the chassis of the vehicle. Hence it is **ideal for frequent dock or fork lift loading operations**, for the occasional use, and for all applications where a quick and free access to the vehicle cargo space is required.

The DH-RM.25 is primarily designed for heavy-duty trucks and semi-trailers. The tail lift is **compatible with most common DOCK-LOCK vehicle restraint systems**.

Lift capacity

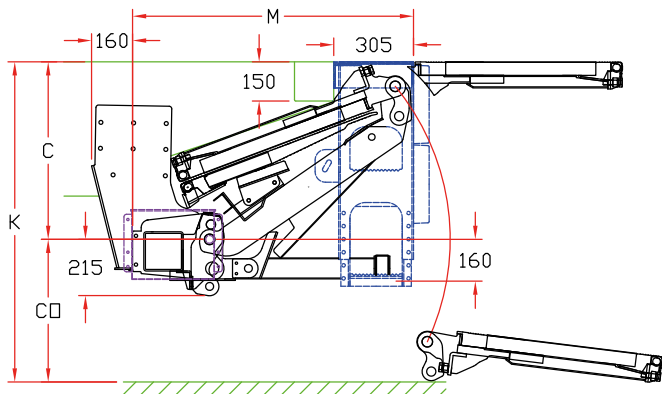
CAP	CG	LM
1500 kg	750 mm	11.25 kNm
2000 kg	750 mm	15 kNm
2500 kg	750 mm	18.75 kNm

Weights [see pg. 15]

ALU / ALU	
1600 mm	585 kg
Floor ext. + bumpers	165 kg

Weights incl. CE bumper

Powerful robust fold-away lift adapted to the harshest winter conditions



Fitting dimensions

ARM		920
K max.		1520
K min.		1200
CT max.		745
CT std.		650
COT max.		800
M	at CT max.	990
M	at CT std.	1070
V max		1600

Technical specifications

Lift frame	150 x 150 mm
Cylinders	2 double acting lift cylinders (POWER DOWN) + 2 fixed stabilisers
Type of ride [see pg. 8-9]	Wedged platform, level ride with automatic tilt at ground level
Platform material	Alu / Alu
Standard platform depths	1600 mm
Standard platform widths	2150 mm for 2430 mm wide extension plate 2300 mm for 2590 mm wide extension plate
Lift arm lengths	920 mm
Lift arm widths	1400 mm
Mounting	<ul style="list-style-type: none"> • Heavy duty floor plate (option OAM041) • 2 sturdy dock-bumpers with adjustable ladders (option OAM042)
Standard control unit [see pg. 11]	OAE041.BP arctic control box
Standard finish of the lift frame	Hot-dip zinc plated finish [OAT104]



→ Side mounted fold-away lift for trucks, trailers & semi-trailers

DH-REK.10 • 1000 kg



The DH-REK is a bespoke fold-away lift, adapted for **fitting at the side** of commercial vehicles. It enables to load and unload merchandise through the side doors of the body.

The solid arm construction with 1 central lift cylinder guarantees maximum platform stability. The platform is equipped with automatic tilt at ground level.

The relatively short platforms are more recommended for roll cages and parcels, than for pallet work.

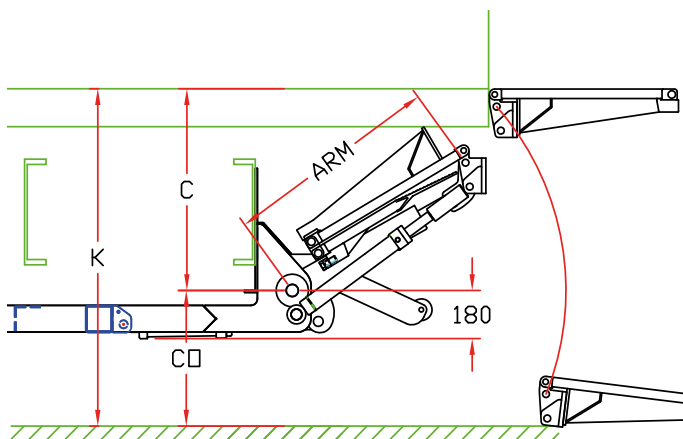
Lift capacity

CAP	CG	LM
1000 kg	600 mm	6 kNm

Weights [see pg. 15]

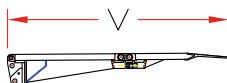
ALU / ALU	
1100 mm	425 kg
1400 mm	440 kg

For use at the side doors



Fitting dimensions

ARM		940	1020
K max.		1350	1410
C max.		680	705
C min.		study req.	
CO max.		670	720
M	at C max.	study req.	
M	at C min.	study req.	
V max		1100	1400



Technical specifications

Lift frame	Custom made lift frame, adapted for side mounting on vehicle chassis
Cylinders	<ul style="list-style-type: none"> • 1 central lift cylinder • 2 double acting tilt cylinders (partially hydraulic deployment of the platform)
Type of ride [see pg. 8-9]	Wedged platform, level ride with automatic tilt at ground level
Platform material	Alu / Alu
Standard platform depths	1100 - 1400 mm
Standard platform widths	1400 mm. Other widths (max. 1600mm) on request (OAP603)
Lift arm lengths	940 - 1020 mm
Lift arm widths	580 mm
Standard control unit [see pg. 11]	OAE030.BT
Standard finish of the lift frame	Protection PLUS [OAT102]



6

Special applications





→ Manual ramp for vans, trucks, trailers and semi-trailers

DH-AM.25 • 1000-2500 kg



The DH-AM is a **light weight yet robust manual ramp**, equipped with a full aluminium platform. The opening and closing of the platform is reinforced by powerful torsion springs, invisibly incorporated in the platform articulation points. The platform is mechanically locked on the left and right sides.

The DH-AM can be mounted at the rear or at the side doors of a wide variety of commercial vehicles. On factory built panel vans, the DH-AM can be supplied as a body kit replacing the rear vehicle doors (option OAT200).

This manual ramp can be used for a wide array of different applications, and forms a light-weight and simplified alternative for hydraulically driven ramps or genuine tail lifts.

Load capacity

CAP
1000 kg
2500 kg

Weights [see pg. 15]

ALU	
2000 mm	120 kg

Easy-to-use manual ramp with aluminium platform



Technical specifications

Lift frame	2 heavy duty hinges mounted on the left and right side of the door aperture
Cylinders	None. Manual opening & closing of the platform reinforced by powerful torsion springs.
Platform material	Aluminium, natural mill finish
Standard platform depths	2000 mm Other depths available on request (OAP302.A)
Standard platform widths	Variable per increments of 5 mm



→ Hydraulic ramp for vans, trucks, trailers and semi-trailers

DH-AC.10 • 1000 kg

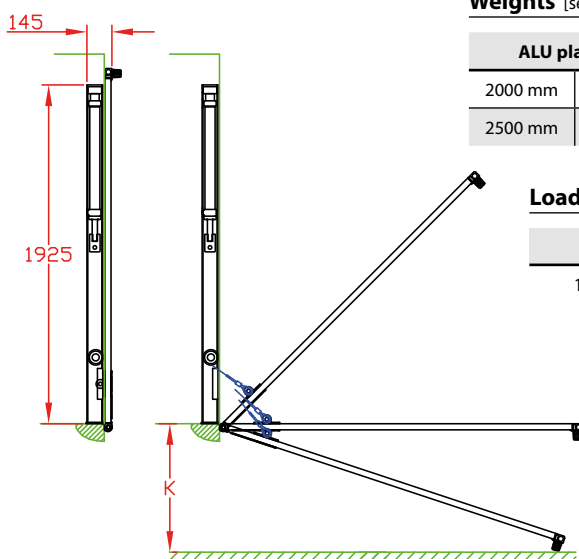


The DH-AC is a **light weight hydraulic ramp** with aluminium platform and superior aesthetic finish. As the closing mechanism is incorporated in 2 columns mounted in the door aperture of the vehicle body, no parts of the closing mechanism (springs, cylinders,...) are visible from the outside.

The DH-AC is traditionally used for the transport of horses or other animals. More recently, it is also being used for other applications, such as the collection of waste bins, the transport of garden equipment (small tractors, lawn mowers, ...).

For the transport of live animals, columns made of stainless steel are available (option OAT130).

Light hydraulic ramp with aluminium platform



Weights [see pg. 15]

ALU platform	
2000 mm	210 kg
2500 mm	235 kg

Load capacity

CAP
1000 kg

Technical specifications

Lift frame	2 vertical columns of 90x90 mm, mounted in the door aperture, against the frame of the body
Cylinders	2 cylinders (1 in each column)
Platform material	<ul style="list-style-type: none"> Aluminium, natural mill finish 3 hinge blocks, to be welded or bolted to the rear cross member of the vehicle floor
Standard platform depths	2000 - 2500 mm Other depths available on request (OAP302.A)
Standard platform widths	Variable per increments of 5 mm
Standard control unit [see pg. 11]	OAE030.BT
Standard finish of the lift frame	Protection PLUS [OAT102]



→ Hydraulic ramp for trucks, trailers and semi-trailers

DH-AR... • 3000 - 16000 kg



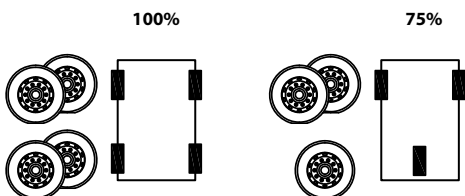
The **DH-AR1...** are basic ramps with a **non-articulated steel platform**.

The **DH-AR2...** are ramps with a **longer, articulated platform**. The top and bottom platform sections are linked with **stabilisers**, so that they work synchronised, as a pair.

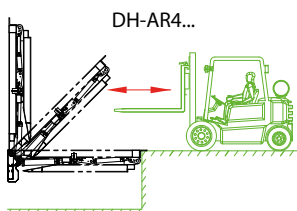
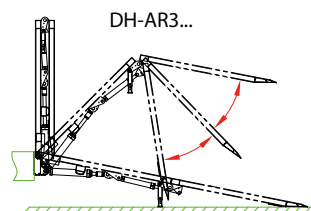
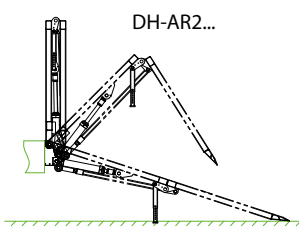
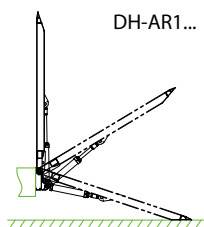
The **DH-AR3/4...** also have a **longer, articulated platform**. But the top and bottom platform sections are linked with **2 additional hydraulic cylinders**, so that both platform sections can be operated independently. The DH-AR4... can be used as bridge at the loading dock.

Load capacity

CAP
3000 kg
5000 kg
9000 kg
16000 kg



Heavy duty hydraulic ramp with steel platform



Technical specifications

Lift frame	140 x 80 mm tube mounted at the rear cross member of the loading floor
Cylinders AR1...	2 tilt cylinders
Cylinders AR2...	2 tilt cylinders + 2 stabilisers
Cylinders AR3 / 4...	2+2 tilt cylinders
Hydraulic stabilising legs	Available as an option (OAH010)
Standard platform depths	AR1...: 2500 mm AR2-3-4: 2000 + 2000 mm Other depths on request (OAP302.S)
Standard platform width	Variable per increments of 5 mm
Standard control unit	Exterior control box with turn buttons, a safety switch and battery isolator switch
Standard finish of the lift frame	Protection PLUS [OAT102]



→ Hydraulic ramp for loading docks

DH-DR.90 • 9000 kg



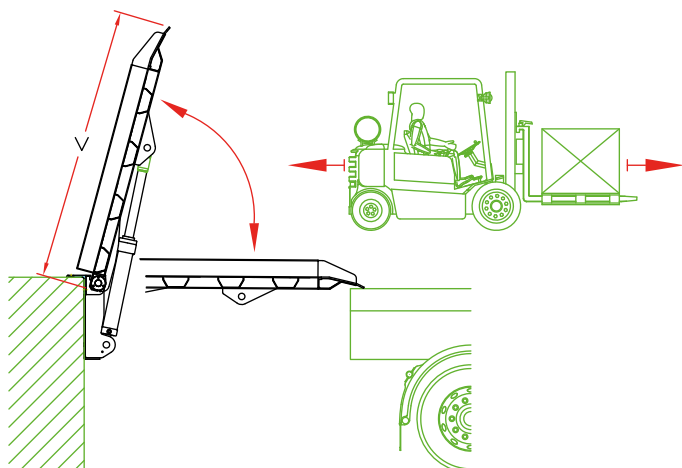
The ramp DH-DR.90 is equipped with a very robust steel platform, offering **9T bridge capacity between a fixed loading station and a commercial vehicle.**

The ramp is hydraulically operated by a single lift cylinder, driven by a 380V pump unit.

The hydraulic system and the shape of the platform point allow the operator to correctly line-up the platform with trucks, trailers and semi-trailers with different loading floor heights; and to follow the movement of the vehicle floor while loading and unloading (variations in vehicle suspension).

The platform sides are foreseen with sturdy guards, to prevent fork lifts from unintentionally driving off the platform sides.

Heavy duty hydraulic ramp for loading docks



Load capacity

CAP

9000 kg



Technical specifications

Lift frame	Solid mounting plate to be installed on the loading dock, incorporating the articulation points and the lift cylinder anchor point
Cylinders	1 central lift cylinder
Platform material	Reinforced steel platform
Standard platform depths	1700 mm Other depths on request (OAP302.S)
Standard platform width	2000 mm Other widths on request (OAP303)
Standard control unit	2-button control integrated in the 380V pump unit
Standard finish of the lift frame	Protection PLUS [OAT102]



→ Cantilever lift for trucks, trailers and semi-trailers

DH-LKG.05 • 500 kg



The **DH-LKG.05** is a robust cantilever lift, designed for the **distribution of gas bottles**. It is equipped with a flat platform to give maximum stability to the gas bottles while lifting / lowering and is available with various types of safety rails, that allow to secure the bottles in vertical position.

In order to keep the operation as simple as possible, the platform is opened / closed by hand, supported by powerful torsion springs. The reinforced steel platform offers 925x1100 mm useful loading space and allows to handle multiple bottles during any lift / lowering cycle, up to max. 500 kg safe working load.

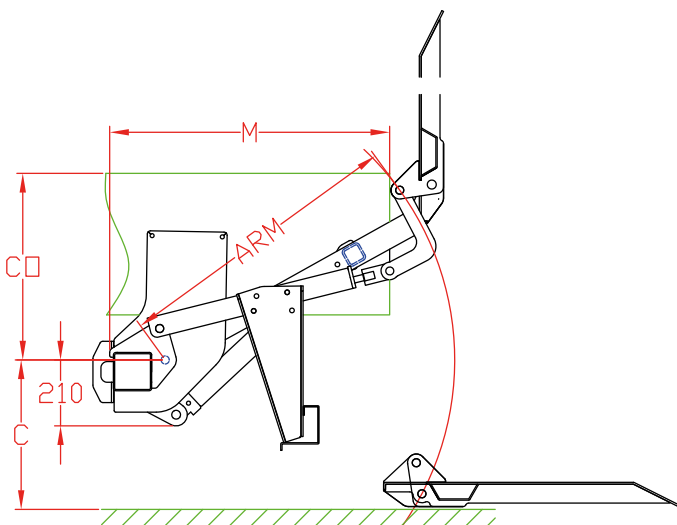
Lift capacity

CAP	CG	LM
500 kg	500 mm	2.5 kNm

Weights [see pg. 15]

STEEL platform	
925x1100 mm	220 kg

Flat platform, specially designed for gas bottles



Fitting dimensions

ARM		1000
K max.		1490
C max.		730
C min.		400
CO max.		760
M	at C max.	760
M	at C min.	975

OAP206.L / .R



OAP207



Technical specifications

Lift frame	120 x 120 mm
Cylinders	1 central lift cylinder + 2 fixed stabilisers
Type of ride [see pg. 8-9]	Flat platform, level ride
Platform material	Steel
Standard platform dimensions	925 x 1100 mm (L x W) Other dimensions on request
Lift arm lengths	1000 mm
Lift arm width	350 mm
Standard control unit [see pg. 10]	OAE015 Fixed 2-button exterior control box
Standard finish of the lift frame	Hot-dip zinc plated finish [OAT104]



→ Lift for refrigerated bodies on trucks, trailers and semi-trailers

DH-IV.10 • 1000 kg



The DH-IV is designed to **load / unload hanging meat**. To unload, the meat pending from the roof-rails is pulled onto the hooks mounted on the cross-tube between the lift arms of the lift and subsequently lowered to the ground by means of hydraulic cylinders.

The DH-IV is manufactured from **stainless steel**, conform with the regulations on health and hygiene.

The cross tube between the lift arms can be welded in a fixed position between the arms. Or it can rotate in a parallelogram configuration (option S406), so that the angle of the cross tube to the ground remains unchanged during the lift / lower movements.

Lift capacity

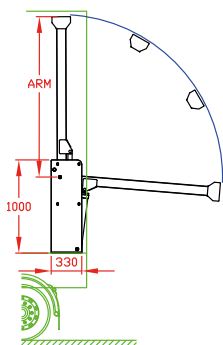
CAP
1000 kg

Weights [see pg. 15]

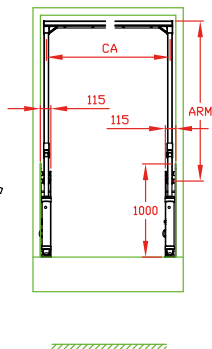
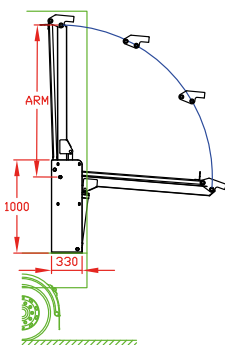
Stainless steel	
Standard	190 kg

Specialised in hanging meat

Standard



Option S406



Technical specifications

Lift frame	2 separate compact lift frames, to be mounted left and right of the door aperture, on the floor and against the side panel
Cylinders	2 double acting lift cylinders
Standard lift system	Fixed cross beam between the lift arms (to be welded during fitting). The angle between the cross beam and the ground changes as the lift goes up / down.
Lift system + option S406	Articulated cross beam (parallelogram) between the lift arms. The angle between the cross beam and the ground remains unchanged as the lift goes up / down.
Material	Stainless steel
Dimensions of lift arms	Length x width made to measure
Standard control unit	3-button control unit integrated in the frame of the lift



→ Bridge plate between truck and trailer

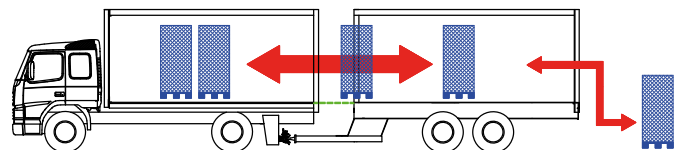
DH-AP • 2x1250 kg



The aluminium ramps DH-AP are used for truck-trailer combinations, whereby the trailer is equipped with doors at the front side.

This **loading bridge** enables the operator to shift load from the truck to the trailer and vice versa, and to handle all the loading and unloading at the rear of the trailer, either by means of a tail lift, or at the loading dock.

The DH-AP consists of 2 hinged ramps of 1250x1200 mm, which are manipulated by hand from a vertical travel position just inside the rear doors of the truck body, to a horizontal work position between the 2 vehicles.



Load capacity

CAP

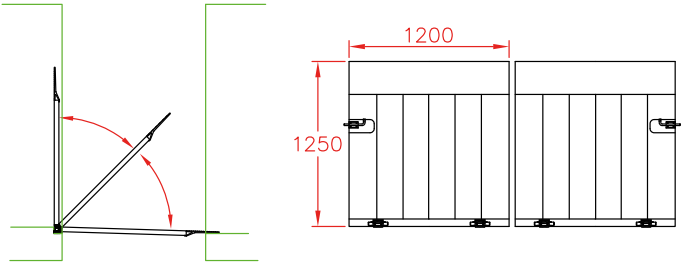
2x1250 kg

Weights [see pg. 15]

Alu platform

2x
1250x1200 mm | 2x 36 kg

Loading bridge between truck and trailer



Technical specifications

Mounting interface	2x2 steel hinge blocks to be bolted or welded to the vehicle floor of the vehicle
Cylinders	<ul style="list-style-type: none">• None. The bridge plates are opened / closed manually.• 2 mechanical locks to lock the platform in the closed travel position.
Platform material	Aluminium, natural mill finish
Standard platform dimensions	1250 x 1200 mm (L x W) Other dimensions on request

DH-LM used as loading bridge



It is also possible to use a **truck-mounted DH-LM** as loading bridge between the 2 vehicles of the tandem. Such solution **increases the independence and flexibility of the truck**: equipped with its own load device, the truck can go solo in the town centers to distribute and deliver to shops.



→ Scissor lift for step deck trailers

DH-H • 8000 kg



The **scissor lift** DH-H has a lift capacity of 8.000 kg and is specially designed to **load / unload the upper deck of step-deck trailers**.

The scissor itself is made at 800 mm width, but is equipped by a full-width loading table by the body builder, according to the required dimensions and surface finish.

Often, the loading floor and scissor lift deck of such semi-trailers are equipped with pneumatically lifted roller beds, for the manipulation of air-freight containers.

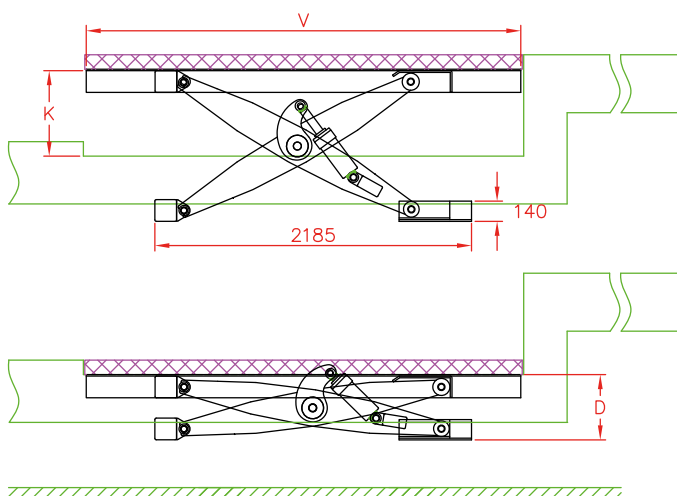
Lift capacity

CAP
8000 kg

Weights [see pg. 15]

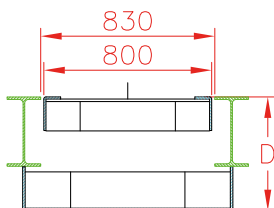
Alu platform	
Scissor	850 kg

The solution for step-deck trailers



Fitting dimensions

K max.	600 mm
D min.	450 mm



Technical specifications

Lift frame	<ul style="list-style-type: none"> • 1 fixed mounting tube + 1 roller bed to be mounted on the underside of the chassis I beams. • Top loading table to be manufactured by the chassis manufacturer.
Cylinders	2 heavy duty lift cylinders
Scissor material	Steel
Scissor lift dimensions	800 x 3200 mm (W x L)
Maximum lift height	600 mm
Standard control unit [see pg. 10]	OAE001
Standard finish of the lift frame	2K primer

Introduction

- Today's column lift range is the result of decades of experience gathered by **DHOLLANDIA**, **SOLID LIFT** and **CARCO** and today brought to the market via one single sales channel.
- It comprises of a wide variety of constructions with vastly different lift mechanisms and for a broad array of applications.
- The classifications in the next pages help to make a distinction between the major product groups. The illustrations in the pages after that aim to give a broad understanding of the possibilities of our range. For the fine adjustment of any of these lifts to your particular requirements, it is recommended to use the assistance of our technical-commercial staff. Please contact your national **DHOLLANDIA** distributor for further details and drawings.



7

Column lifts

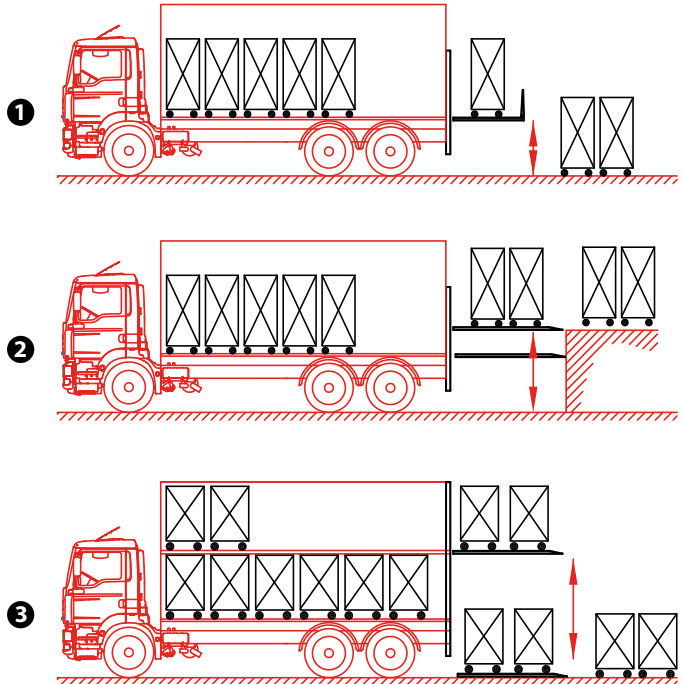


Classifications

1- Lifting height

When taking the maximum lifting height as discerning factor, one can distinguish between:

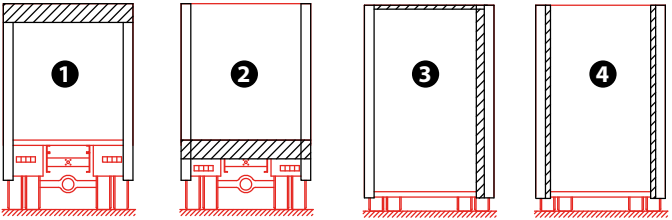
1	Single deck lifts: platform travels between the ground and the (lower) loading floor of the vehicle.
2	Intermediate lifts: platform travels between the ground and an intermediate height above the loading floor, e.g. to access a loading dock.
3	Multi deck lifts: platform travels between the ground and the 2nd, 3rd, 4th... loading floor of the vehicle. The highest achievable level is 6m above the ground.



2- Lifting technology

When considering how the platform is moved up & down, one can distinguish between:

1	DH-VB...	Operated by a single lift cylinder and a set of steel cables and pulleys. The cylinder beam is mounted horizontally at roof level.
2	DH-VO...	Operated by a single lift cylinder and a set of steel cables or chains and pulleys. The cylinder beam is mounted horizontally at or below the vehicle floor level.
3	DH-VX...	Operated by a single lift cylinder and a set of steel cables and pulleys. The cylinder beam is mounted vertically in the right side column.
4	DH-VH...	Operated by 2 hydraulic lift cylinders mounted in the left and right side columns. No cables or chains involved.



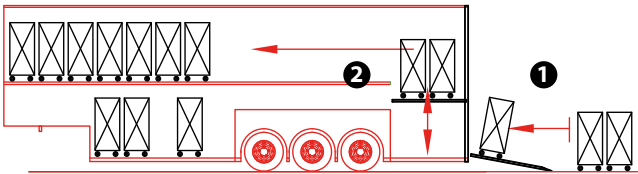
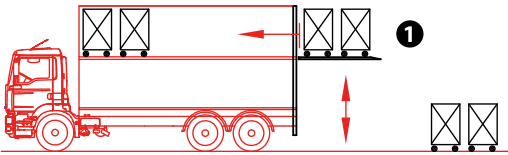
Remark 1: for lifts with horizontal lifting systems (1 & 2), the achievable lifting height depends on the width of the lift or vehicle. For lifts with vertical lifting systems (3 & 4), the achievable lifting height depends on the height of the lift or vehicle. Consult our technical drawings for detailed information.

Remark 2: by adding specific options, these multi-functional lifts can be adapted to suit specific applications, such as the intensive distribution transport, the transport of (race) cars, the collection of waste containers, the transport of live stock, etc...

3- Mounting position of the lift

When observing where the lift is mounted on the vehicle, distinction can be made between following types:

1	External lift	Is mounted at the rear or at the side of the vehicle body and is stowed vertically behind the vehicle body in its travel position. This lift has all functions LIFT / LOWER and CLOSE / OPEN.
2	Internal lift	Is mounted inside the vehicle body. When it is stowed in its travel position, it forms an integral part of one of the vehicle floors. When used, it works as a moving deck. This lift only has the functions LIFT / LOWER, no tilt.

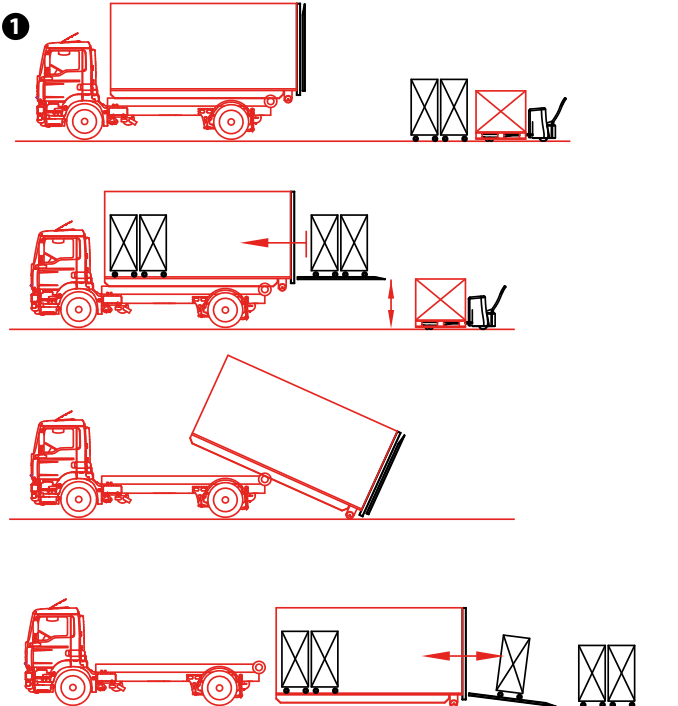


4- Specials and option packages

For specific industries or applications, the technical requirements are to a large extent standard through the entire industry and are joined by option packages.

For example, option packages are offered for GAS BOTTLE lifts (robust heavy duty platforms with special safety rails to secure the gas bottles on the platform against falling); for RACE CAR lifts (long, extended and reinforced platforms with a foldable or retractable ramp); and for CONTAINER lifts (very short lift columns + long lift runners) [see 1 below].

Of course, a long option list enables **DHOLLANDIA** to adjust every column lift to the particular requirements of each customer.





→ Column lift for light-duty commercial vehicles

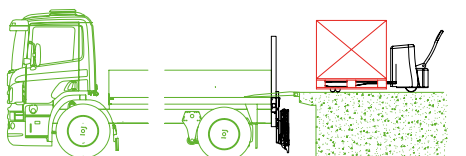
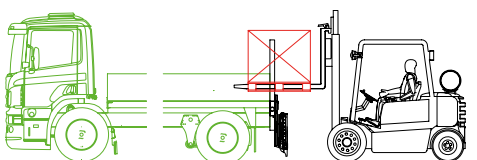
DH-VO.07.K1 • 500 - 750 kg



Light-weight column lift with manual closure

The single-deck lift DH-VO.07.K1 is designed for commercial vehicles up to 7,5T GVW. It offers **maximum all-round efficiency**. In standard execution, the lift is equipped with a single-piece aluminium platform. A wide choice of options is available to adapt the lift to meet specific applications and requirements, such as:

- Hinged ramps, roll-stops, and safety rail options
- Dump-over and Dump-through lifts for **tipper vehicles**
- Fuel saving lifts offering reduced wind resistance for drop-side vehicles, flat-bed vehicles and pick-up trucks: **meshed platforms and foldable platforms**



Lift capacity

DH-VO.07.K1

500 kg

750 kg

Technical specifications (old name = DH-VOC)

Lift system	Lower beam: operated by a single lift cylinder mounted in a beam at the vehicle floor level and a set of chains & pulleys
Open / Close	Manual closure supported by torsion bars
Type of ride [see pg. 8-9]	Flat platform, level ride
Standard platform	<ul style="list-style-type: none"> • Flat platform with fixed leading edge • Roll-stops & hinged ramps available as an option
Platform material	<ul style="list-style-type: none"> • Light-weight aluminium platform; or • Meshed steel platform, for improved fuel efficiency (OVP509)
Standard platform depths	<ul style="list-style-type: none"> • 900 - 1100 - 1300 mm • Other platform sizes on request
Standard control unit [see pg. 11]	OAE030.BT
Standard finish of the lift frame	Galvanised steel columns (alu columns as option)



→ Column lift for trucks, trailers & semi-trailers

DH-VO.15.K1 • 750 - 1500 kg



Best seller in the column lift range, manual or hydraulic closure



The single-deck lifts DH-VO.10.K1 and DH-VO.15.K1 offer **maximum all-round efficiency**. In standard execution, the lift is equipped with a single-piece aluminium platform. A wide choice of options is available to adapt the lift to meet specific applications and requirements, such as:

- Hinged ramps at the side & rear edges of the platform
- Manual or hydraulic closure
- Various types of safety rails
- Gas bottle lifts
- Dump-over and Dump-through lifts for **tipper vehicles**
- K9 execution with **lifting height above vehicle floor level**

Lift capacity

DH-VO.10.K1	DH-VO.15.K1
750 kg	1000 kg
1000 kg	1500 kg

Technical specifications (old name = DH-VOC)

Lift system	Lower beam: operated by a single lift cylinder mounted in a beam at the vehicle floor level and a set of chains & pulleys
Open / Close	<ul style="list-style-type: none"> • Manual closure supported by torsion bars • Hydraulic closure as an option (OVH004)
Type of ride [see pg. 8-9]	Flat platform, level ride
Standard platform	<ul style="list-style-type: none"> • Flat platform with fixed leading edge • Roll-stops & hinged ramps available as an option
Platform material	<ul style="list-style-type: none"> • Reinforced steel platform, or • Light-weight aluminium platform; or • Meshed steel platform, for improved fuel efficiency (OVP 509)
Standard platform depths	<ul style="list-style-type: none"> • 1000 - 1250 - 1500 mm • Other platform sizes on request
Standard control unit [see pg. 11]	OAE030.BT
Standard finish of the lift frame	Galvanised steel columns (alu columns as option)



→ Column lift for light-duty commercial vehicles

DH-VOCS...K1 • 500 - 1000 kg



500-750 kg



1000 kg



Integrated rear frame lift offering maximum pay-load

The DH-VOCS integrates a lift and the rear frame of the vehicle body into one single structure, and **saves up to 100 kg pay-load on light-duty commercial vehicles!** It is the **lightest tail lift in the 3.5 - 7.5T GVW truck range.**

The product consists of:

- a light weight full aluminium column lift
- an aluminium platform of 1200-1600 mm deep
- a top-hatch operated by gas cylinders
- all these incorporated in an aluminium rear frame that replaces the original rear frame of the vehicle body.

This solution is independent of any chassis constraints (overhang, spring hangar,...). The DH-VOCS is extremely reliable and easy to use without specialised driver training. There is also a **K9 execution** available, with **lifting height above the vehicle floor.**



**Golden Innovation Award
Solutrans 2013 (FR)**

Lift capacity

DH-VOCS.07.K1	DH-VOCS.10.K1
500 kg	1000 kg
750 kg	

Weights [see pg. 15]

DH-VOCS.07.K1	from 185 kg onwards
DH-VOCS.10.K1	from 275 kg onwards

Technical specifications (old name = DH-VOC)

Lift system	DH-VO.07.K1 technology (see pg 168-169)
Open / Close	Manual closure supported by torsion bars
Type of ride [see pg. 8-9]	Flat platform, level ride
Standard platform	<ul style="list-style-type: none"> • Flat platform with fixed leading edge • Floating point available as an option • Roll-stops available as an option
Platform material	Light-weight aluminium platform; anodised finish
Standard platform depths	1100 - 1300 - 1450 - 1600 mm (max.)
Lift dimensions	<ul style="list-style-type: none"> • Height & width of rear frame is adapted to vehicle body • Height of top hatch is adapted to platform height
Standard control unit [see pg. 11]	OAE030.BT
Standard finish of the lift frame	Anodised aluminium profiles



→ Column lift for trucks, trailers & semi-trailers

DH-VB.15.E1 • 1000 - 1500 kg



Single deck column lift with upper beam

The single-deck lift DH-VB.15.E1 is a robust lift designed to work in “**hostile environment**” conditions (e.g. with regular dock loading), and to suit the most demanding applications in the transport business, such as **supermarket & food distribution**.

Many options are available to adapt the lift to meet specific customer requirements and applications, for instance:

- Hinged ramps at the side & rear edges of the platform
- Manual or hydraulic closure
- Various types of safety rails
- Special adaptations for the locking gear of barn doors
- Shunt stops to vertically descend the platform in a suitable position, that allows to reverse the vehicle into the loading dock without damaging the lift columns and platform.

Technical specifications (old name = DH-VB4)

Lift system	<ul style="list-style-type: none">• Overhead beam: operated by a single lift cylinder mounted in a beam at the vehicle roof level and a set of steel ropes & pulleys• Reinforced lift columns 100x100 mm
Open / Close	<ul style="list-style-type: none">• Manual closure supported by torsion bars• Hydraulic closure as an option (OVH004)
Type of ride [see pg. 8-9]	Flat platform, level ride
Standard platform	<ul style="list-style-type: none">• Flat platform with fixed leading edge• Roll-stops & hinged ramps available as an option
Platform material	<ul style="list-style-type: none">• Reinforced steel platform, or• Light-weight aluminium platform
Standard platform depths	1200 mm Other platform sizes on request
Standard control unit [see pg. 11]	OAE030.BT
Standard finish of the lift frame	2K zinc primer + polyester powder coat



→ Column lift for trucks, trailers & semi-trailers

DH-VH... • 750 - 3000 kg



Fully hydraulic single-deck lift

The DH-VH... form a diverse group of single-deck columns, all **fully hydraulically operated** by 2 lift cylinders mounted in vertical position in the side columns of the lift frame. The DH-VH... benefit from **reduced maintenance costs**, as many of the traditional components susceptible to wear (steel ropes and pulleys, chains and sprockets) are eliminated from the design.

Most DH-VH... use a mechanical torsion tube link between the 2 lift runners to realise synchronisation between the 2 lift cylinders and obtain a steady, level platform movement from the vehicle floor to the ground (and vice versa).

Fully hydraulic lifts (also called "direct lifts") are available in various models, and for different lift capacities. The most popular models are:

DH-VH.10.H1 • 750 - 1000 kg

- Compact lift frame with minimal depth in or behind the vehicle body
- Therefore often mounted laterally, e.g. as wheelchair or stretcher lift on medical vehicles
- Full aluminium platform
- Hydraulic closure with 2 tilt cylinders, the platform angle is fully adjustable

DH-VH.30.H1 • 1000 - 3000 kg

- Heavy duty direct lift for a wide array of applications
- Suitable for higher capacities, with longer platforms
- Hydraulic closure with 2 tilt cylinders, the platform angle is fully adjustable
- Available with external shrouds and internal sealing kit

DH-VH.30.E1 • 1000 - 3000 kg

- Heavy duty lift, suitable for higher capacities and use in "hostile environment" conditions
- Automatically folding steel / aluminium platform
- Enables the vehicle to reverse into the loading docks with the folded platform evacuated below the floor level
- Hydraulic closure with 1 tilt cylinder, no intermediate tilt adjustment possible



→ Column lift for trucks, trailers & semi-trailers

DH-VXA.10.E9 • 750 - 1000 kg



Loading dock heights up to 1.9 m

The DH-VXA.10.E9 is a **full-aluminium** column lift (aluminium platform; alu columns and lift runners).

The construction with **2 tilt-cylinders** is designed to operate longer platforms and allows to tilt the platform to different angles other than the 90° horizontal or open position.

The lift system incorporates the facility to **elevate the platform above the loading floor** of the vehicle, so that it becomes possible for lower vehicles to get quick and direct access to higher loading docks and thus speed up loading / unloading.

Technical specifications (old name = DH-VXA)

Lift system	1 lift cylinder mounted vertically in the right side column, plus a steel cable crossing at roof level for the actuation of the left lift runner
Open / Close	<ul style="list-style-type: none">• 2 tilt cylinders, vertically mounted• The platform orientation is adjustable at any position from the exterior controls
Type of ride [see pg. 8-9]	Flat platform, level ride
Standard platform	<ul style="list-style-type: none">• Flat platform with fixed leading edge• Roll-stops & hinged ramps available as an option
Platform material	Light-weight aluminium platform
Standard platform depths	1800 - 2000 mm Other platform sizes on request
Standard control unit [see pg. 11]	OAE030.BT
Standard finish of the lift frame	Aluminium lifting mechanism



→ Column lift for containers & demountable bodies

Container lifts



For containers & trucks with draw bar couplings

Container lifts are equipped **with short columns and extended lift runners**, so that no part of the mechanism protrudes below the underside of the vehicle body, when the platform is stored in its travel position. The main benefits of this configuration are:

- The containers or demountable bodies can be **deposited on the ground**, without any obstruction from or damage to the lift. In most cases, the platform can be opened, and the container accessed while it is standing on the ground.
- On **trucks with a draw-bar trailer**, it provides sufficient clearance between the columns and the draw bar.

Most types of container lifts suit single-deck operations, but multi-deck lifts are also available. The most common lifts are:

DH-VMC3.10.X1 • 750 - 1000 kg [single deck]

- Telescopic lift runners for increased reach
- Aluminium platform 1600 - 1800 mm long

DH-VBC.25.D1 • 1000 - 2500 kg [single deck]

- Short columns and long lift runners
- Steel / Alu platform depth 2000 - 2700 mm

DH-VHC.30.D1 • 1000 - 3000 kg [single deck]

- Fully hydraulic lift, operated by 2 vertical lift cylinders incorporated in the lift columns
- Steel / Alu platform depth 2000 - 2700 mm

DH-VB.20.D3.G08 • 1000 - 2000 kg [double deck]

- Upper beam lift with short columns and long lift runners
- Steel / Alu platform depth 2000 - 4500 mm



→ Column lift for trucks, trailers & semi-trailers

DH-VB... • 750 - 2500 kg



Multi-deck column lift with upper beam

The DH-VB... are specially designed to load and unload vehicles with multiple or moving loading floors. All DH-VB... are equipped with a flat platform, offering a smooth and level ride from the various loading floors to the ground (and vice versa).

The DH-VB... have a cylinder beam at vehicle roof level. These **heavy duty lifts** are suitable for vehicles with **insufficient ground clearance to mount a DH-VO lower beam lift** (too low vehicle floor level); and for applications with a considerable **risk that harmful products could penetrate in the cylinder beam** (e.g. animal transport).

Upper beam lifts are available in various models, and for different capacity classes. All exterior lifts are equipped with 2 tilt cylinders, hence the platform orientation is adjustable from the exterior controls. The most common lift models are:

DH-VB25.D2 • 1000 - 2500 kg (old name = DH-VB3)

- Basic model, robust & heavy duty, multi-functional
- Height of cylinder beam = 230 mm
- Platform = steel frame + aluminium infill profiles
- Lifting height to approx. 1380 mm under the roof level (*)

DH-VBV.25.D2 • 1000 - 2500 kg (old name = DH-VBV)

- Special adaptation for the transport live animals
- Height of the cylinder beam = 150 mm
- Platform = full aluminium platform
- Lifting height to approx. 1205 mm under the roof level (930 mm with option OVF001) (*)

DH-VB10.D3 • 750 - 1000 kg (old name = DH-VB5A)

- Light weight execution
- Height of the cylinder beam = 180 mm
- Platform = steel frame + aluminium infill profiles
- Full aluminium platform as option (OVP004)
- Lifting height to approx. 540 mm under the roof level (290 mm with option OVF001) (*)

(*) See remark 1 on pg. 165 reg. the achievable lifting height

Options: all DH-VB... offer a wide choice of options to adapt the lift to the specific requirement of each and every customer: safety rails on 2, 3 or 4 sides; roll-stops or hinged ramps; side loading ramps; foldable or slide-out ramps at the rear edge of the platform, etc...



→ Column lift for trucks, trailers & semi-trailers

DH-VO... • 1000 - 4000 kg



Multi-deck column lift with lower beam

The DH-VO... are specially designed to load and unload vehicles with multiple or moving loading floors. All DH-VO... are equipped with a flat platform, offering a smooth and level ride from the various loading floors to the ground (and vice versa).

The DH-VO... have a **cylinder beam at or below the vehicle floor level**, so that the **passage height through the aperture of the vehicle body remains intact**. It is however not suitable for vehicles with a very low floor level.

Lower beam lifts are available in various models, and for different capacity classes. All exterior lifts are equipped with 2 tilt cylinders, hence the platform orientation is adjustable from the exterior controls. The most common lift models are:

DH-VO25.D2.A10 • 1000 - 2500 kg (old name = DH-VO4)

- Basic model, robust & heavy duty, multi-functional
- Compact cylinder beam = 360x237 mm (LxH)
- Platform = steel frame + aluminium infill profiles
- Lifting height to max. 2970 mm above the ground or 1150 mm under the roof level (1)
- Shrouds and platform seals on the outside (2)

DH-VO25.D2.B10 • 1000 - 2500 kg (old name = DH-VO3)

- Advanced model, allowing additional options (such as OVP404 = double manual toe-guards on the platform and the cylinder beam without electrical detection) and offering extra lifting height
- Larger cylinder beam = 480x237 mm (LxH)
- Platform = steel frame + aluminium infill profiles
- Lifting height to max. 3130 mm above the ground or 1150 mm under the roof level (1)
- Shrouds and platform seals on the outside of the columns (2)

Options: all DH-VO... offer a wide choice of options to adapt the lift to the specific requirement of each and every customer: safety rails on 2, 3 or 4 sides; roll-stops or hinged ramps; side loading ramps; foldable or slide-out ramps at the rear edge of the platform, etc...

(1) See remark 1 on pg. 165 reg. the achievable lifting height. If the platform lifts higher than 1150 mm under the roof, the roof needs to accommodate that the lift runners pass beyond the roof.

(2) Internal shrouds and seals possible with models ...C10 and ...D10.



→ Column lift for trucks, trailers & semi-trailers

Vertical lift cylinder(s)



Multi-deck column lift with vertical lift cylinder(s)

The DH-VX... are specially designed to load and unload vehicles with multiple or moving loading floors. All DH-VX... are equipped with a flat platform, offering a smooth and level ride from the various loading floors to the ground (and vice versa).

The DH-VX & DH-VH... have 1 (VX) or 2 (VH) **lift cylinder(s) mounted vertically** in the lift column(s). As these lifts have no horizontal cylinder beam at all, they are ideal for vehicles where the free passage height through the body aperture is crucial (very low loading floor + very slim cross member at the roof). E.g. **semi-trailers with independent axle suspension**.

Often, these lifts are used as **internal lifts** or moving decks: platforms with a fixed horizontal platform orientation (no tilt cylinders), travelling internally between the lower and upper deck. These internal lifts are often combined with a second, external lift (a multi-deck lift, a slider lift, or a hydraulic ramp).

DH-VX & DH-VH are available in various models and geometries. The most common lift models are:

DH-VX.25.D2 • 1000 - 2500 kg

- Basic model, robust & heavy duty, multi-functional
- Single lift cylinder mounted in the right side column, plus a set of cables crossing at roof level for the actuation of the left side lift runner
- Platform = steel frame + aluminium infill profiles
- Lifting height to approx. 1400 mm under the roof level (*)
- Available as exterior lift (with tilt) or as interior lift (with fixed platform)
- Ext. Lift: shrouds and platform seals on the outside of the columns

DH-VH.40.E2 / D2 • 1000 - 4000 kg

- Fully hydraulic system with 2 lift cylinders (one in each lift column), no cables or chains involved
- Platform = steel frame + aluminium infill profiles
- Lifting height to approx. half the vehicle body height (suitable for 2 decks with identical height)
- Available as exterior lift; as independent interior lift; or as combined exterior + interior lift

(*) See remark 1 on pg. 165 reg. the achievable lifting height.



→ Column lift for trucks, trailers & semi-trailers

DH-VO.20.D4 • 1000 - 1800 kg



Removal lift up to 6 m height

The DH-VO.20.D4 is equipped with a unique system of **telescopic lift columns**, enabling the platform to travel from flat on the ground, beyond the roof, to a **level at max. 6 m above the ground** (2) in one continuous movement.

The lift is equipped with hydraulic stabilising legs, to guarantee optimum safety when working at extreme heights.

The product offer includes a basic version for general applications and a **REMOVAL execution** (option OVU002). The latter is specially designed for the transport and delivery of furniture and for removal activities.

Standard execution • 1000 - 1800 kg (1)

- Lower beam lift with telescopic lift runners, steel cables and a set of pulleys
- Hydraulic closure with 2 tilt cylinders
- Platform = steel + aluminium infill profiles
- Lifting height to approx. 6 m above the ground (2)
- Independent hydraulic stabilising legs
- Standard side safety rails with integrated lift / lower controls
- Roof construction

Additional equipment on OVU002 Removal execution

- Lateral shrouds & platform seals
- Extension of the platform to max. 3000 mm
- 4-sides demountable safety rails (fully CE compliant on fall protection)
- 2-button wander lead with plugs mounted on the platform surface
- Facility to incline the platform down below horizontal angle into ramp-position

(1) Risk analysis on fall protection required to comply with CE regulations.

(2) See remark 1 on pg. 165 reg. the achievable lifting height.



DH-VOZ.10.K1

750 - 1000 kg
1 or 2 sides,
Platforms up to max.
7500 mm long



DH-VZ.03

300 kg
Gas bottle lift

DH-VX.10.E9

750 - 1000 kg
For lifting heights up
to 1.9 m (above vehicle
floor level)



DH-VH.10.H1 or

DH-VO.10.K1

500 - 1000 kg
Lift for hospital beds,
medical vehicles



DH-VX.25.D2

1000 - 2000 kg
Multi-deck lift, side
mounted, with reinforced
platform



Side mounted applications

Various types of column lifts can be adapted, or are specially designed to be mounted to the side of the vehicle. An important share of these lifts are used for the distribution of gas bottles, or for the delivery of beverages.

Consult your national **DHOLLANDIA** distributor for further assistance and detailed information.



DH-VZC.05

500 kg

Gas bottle lift integrated in the vehicle floor



DH-VMC.10.H1

750 - 1000 kg

Container lift, mounted laterally at the front of a step-deck trailer (at the 5th wheel area)



DH-AC.10

1000 kg

Hydraulic ramp with aluminium platform, side mounted to serve as stage

www.dhollandia.com



DHOLLANDIA

IZ E17-1072 Zoomstraat 9 • 9160 Lokeren • Belgium
Tel. +32 (0)9 349 06 92 • Fax +32 (0)9 349 09 77
www.dhollandia.com • info@dhollandia.be

DHOLLANDIA UK LTD

7 Latham Road • Huntingdon, Cambridgeshire
PE29 6YG • United Kingdom
Tel. +44 1480 435 266 • Fax +44 1480 431 823
info@dhollandia.com